

Ice Maker Assy. - Model 501F

▲ WARNING

Always disconnect electrical power to equipment before attempting repairs.

▲ CAUTION

Do not manually advance the ejector blades on the modular ice maker.

The ice bucket is located in the top right freezer basket (Figure 2-35).

The ice maker is connected to the ice level arm by a connecting rod (Figure 2-36).

When the ice bucket is removed, ice production will stop. There is a tab on the rear left hand corner of the bucket that activates the ice maker switch (Figure 2-36).

1. To access and remove the icemaker assy., remove the top right freezer basket which contains the ice bucket.
2. Slide the connecting rod to the right, off of the icemaker shut-off arm, allowing the ice level arm to drop out of the way.
3. Remove the mounting screw at the bottom left of the icemaker which secures the icemaker bracket to the drain trough enclosure.
4. Extract the two mounting screws at the top rear, above the icemaker mold.
5. Pull the icemaker assy. forward and disconnect the electrical leads from the icemaker.

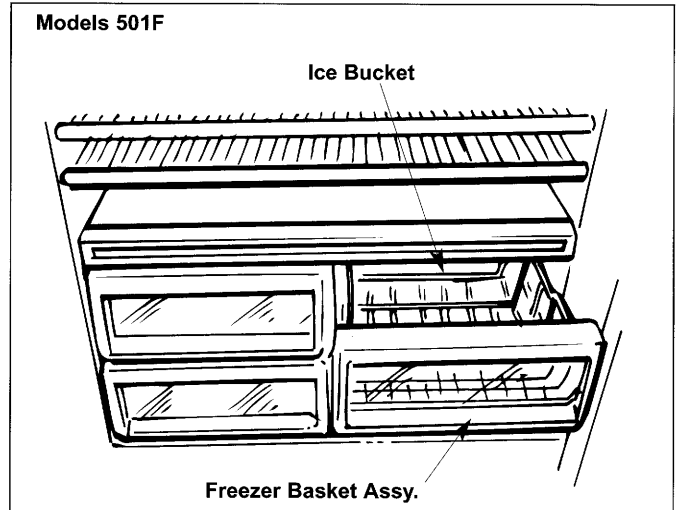


Figure 2-35. Ice Bucket

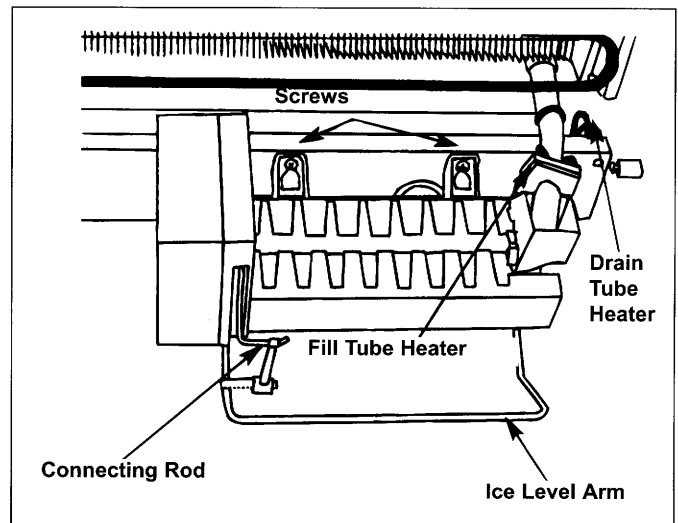


Figure 2-36. Icemaker Area

Compact Ice Maker Assembly Model 550 Prior to Serial Number M/P681166, and between Serial Numbers M/P681565 to M702716/P700765

The ice maker assy. linkage roller contacts the back of the the ice bucket and raises or lowers the ice level arm, when the ice bucket is pushed in or out. Ice production stops when the bucket is removed.

NOTE: If the shut-off arm on the right hand side of the ice maker is not activating the shut-off micro switch, the shut-off arm should be manually adjusted toward the ice maker until contact is achieved.

Modular Ice Maker Assembly Model 511, 550 Between Serial Number M/P681166 to M/7681565, and starting with Serial Number M702716/P700765

▲ WARNING
Always disconnect electrical power to equipment before attempting repairs.
▲ CAUTION
Do not manually advance the ejector arms or drive gear or the main assy. will be destroyed.

The ice bucket is located in the top left rear corner of the top freezer basket (Figure 2-38). A tab on the rear left corner of the bucket activates the ice-maker switch. If the ice bucket is out of position, ice production will stop.

NOTE: If the ice maker stops making ice, verify ice bucket is in position and check the shut-off arm to see if it is stuck in the up (off) position.

The ice maker is located in the upper left corner of the freezer compartment and secured to the side wall by two screws above the ice maker and one screw below it (Figure 2-39).

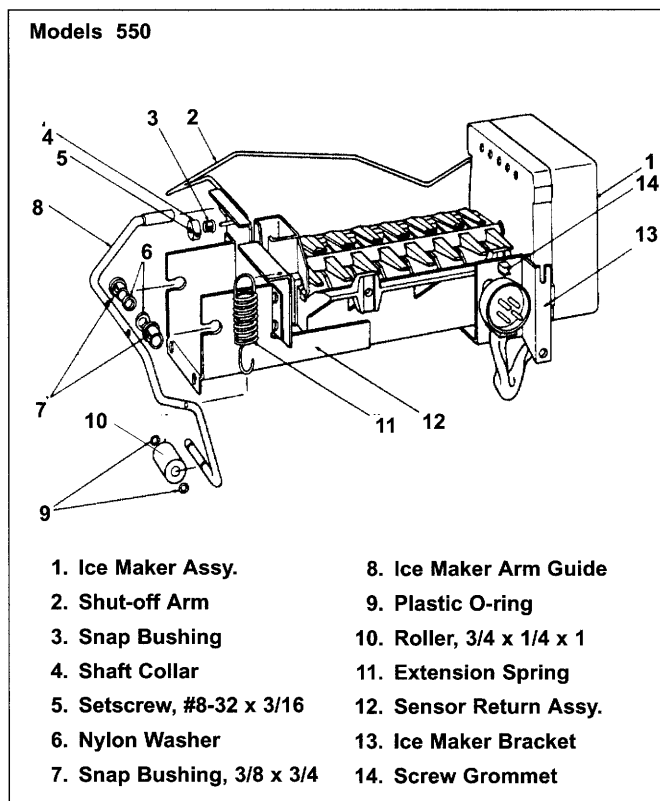


Figure 2-37. Compact Icemaker

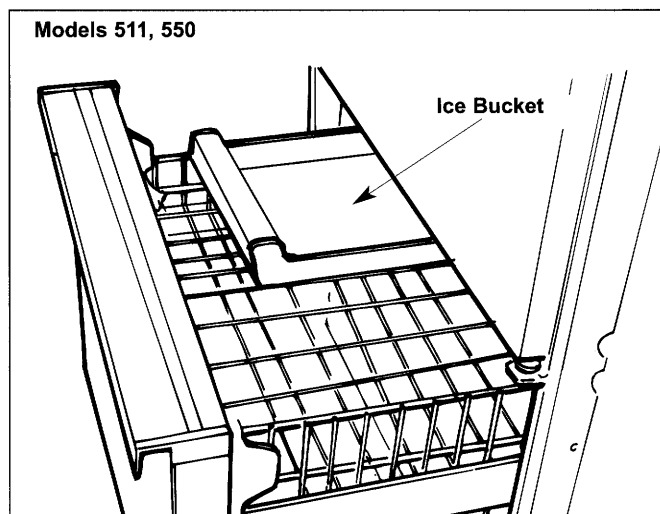


Figure 2-38. Ice Bucket Location

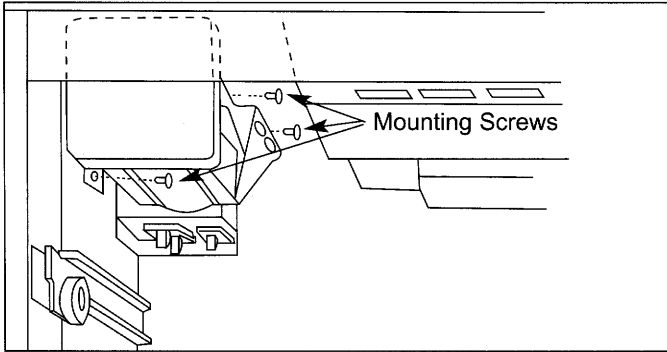


Figure 2-39. Models 511, 550 Icemaker

1. To remove the icemaker, extract the mounting screw at the bottom of the icemaker which secures the icemaker bracket to the left side wall.
2. Then extract the two mounting screws at the top, above the icemaker mold (Figure 2-39).
3. Pull the icemaker assy. down and disconnect the electrical leads from the icemaker.

Ice Maker Assembly - Models 532, 542, 561

⚠ WARNING

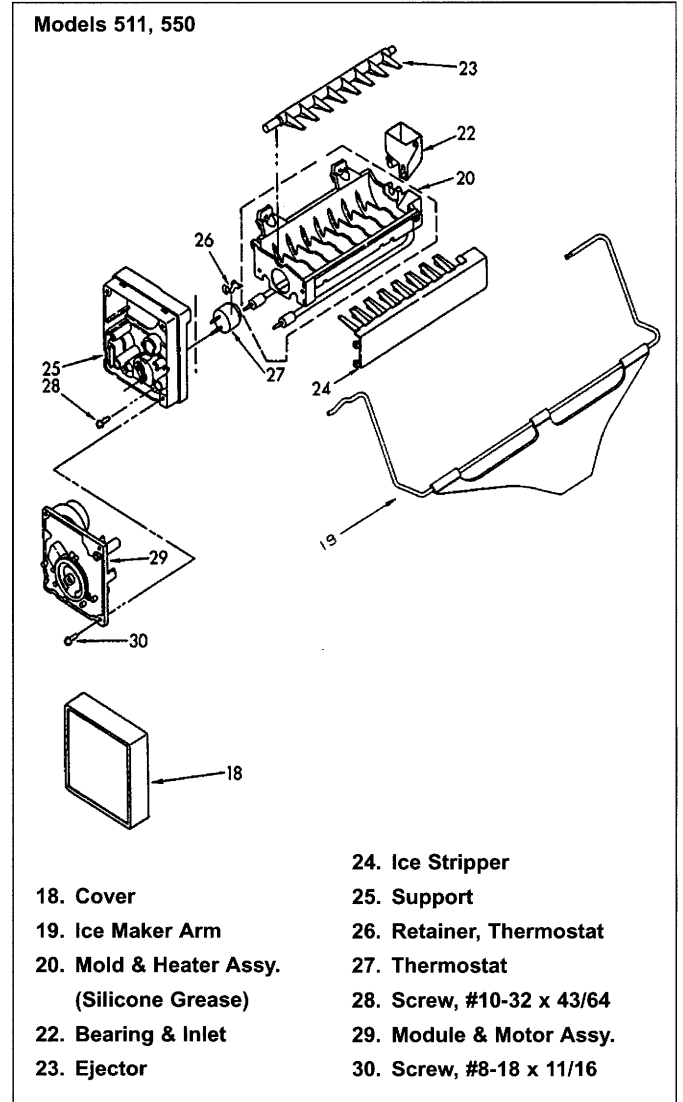
Always disconnect electrical power to equipment before attempting repairs.

⚠ CAUTION

Do not manually advance the ejector blades on a modular ice maker or the unit will be damaged.

The back channel of the ice bucket hooks over the ice bucket carriage assembly (Figure 2-41).

The guide on the carriage assy. contacts the arm of the ice maker linkage (Figure 2-42). As the carriage assy. is pulled out, the arm rides up the guide and the linkage will raise allowing clearance for the ice bucket. When the carriage is pushed back, the linkage drops into the ice bucket to sense the level of the ice.



- | | |
|--|---------------------------|
| 18. Cover | 24. Ice Stripper |
| 19. Ice Maker Arm | 25. Support |
| 20. Mold & Heater Assy.
(Silicone Grease) | 26. Retainer, Thermostat |
| 22. Bearing & Inlet | 27. Thermostat |
| 23. Ejector | 28. Screw, #10-32 x 43/64 |
| | 29. Module & Motor Assy. |
| | 30. Screw, #8-18 x 11/16 |

Figure 2-40. Modular Icemaker

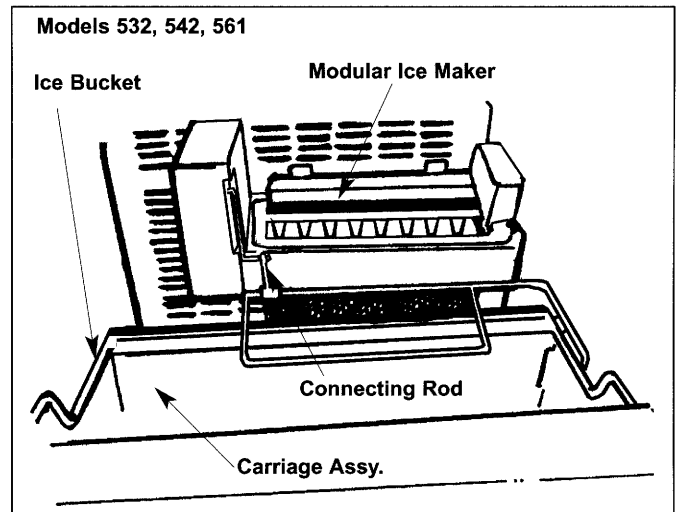


Figure 2-41. Ice Bucket