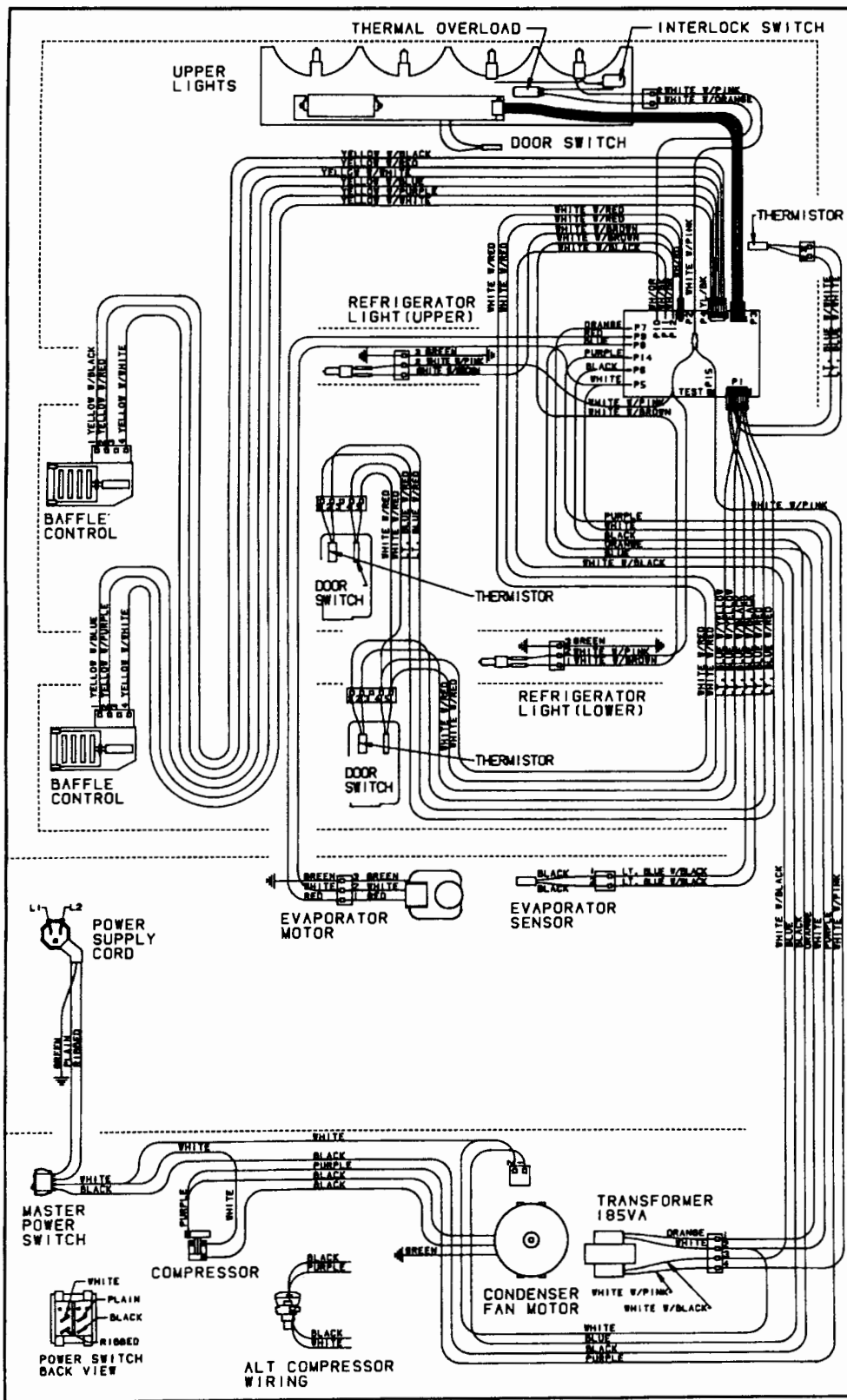


**SECTION 7**

**WIRING DIAGRAMS  
&  
SCHEMATICS**

WIRING DIAGRAM - 700TR

WIRING DIAGRAM - MODEL 700TR



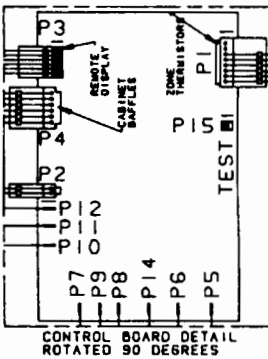
**WARNING**

This wiring information is provided for use by qualified service personnel only.

Disconnect appliance from electrical supply before beginning service.

Be sure all grounding devices are connected when service is completed.

Failure to observe the above warnings may result in severe electrical shock.



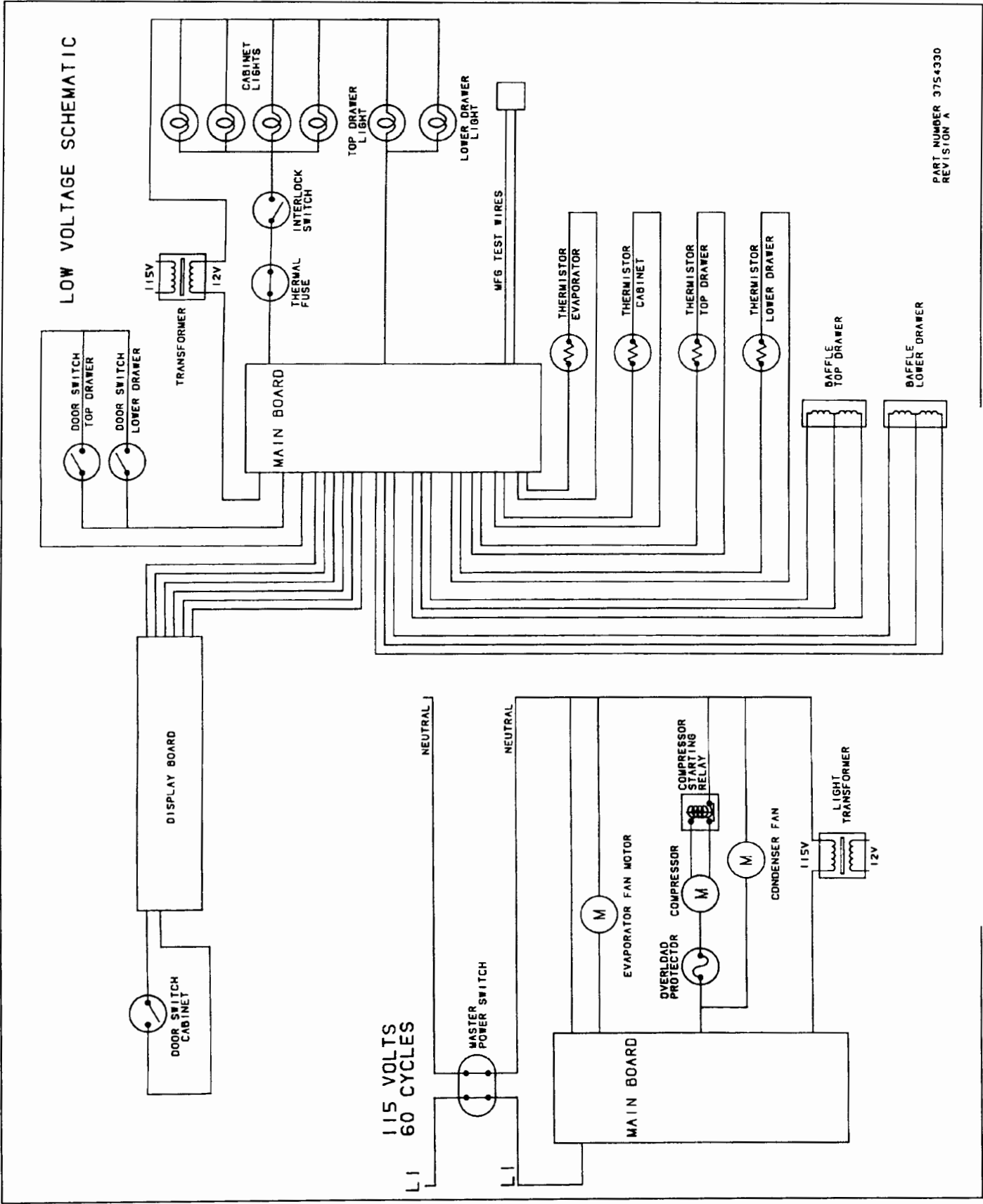
CONTROL BOARD DETAIL  
ROTATED 90 DEGREES

TERM.	WIRE COLOR
P1	WHITE
P2	BLACK
P3	YELLOW
P4	RED
P5	ORANGE
P6	GREEN
P7	BLUE
P8	YELLOW
P9	RED
P10	ORANGE
P11	GREEN
P12	BLUE
P13	YELLOW
P14	RED
P15	ORANGE

TERM.	DESCRIPTION	COLOR	ABBR.
P1	THERMISTORS	SEE AUX. CHART	WH/RT
P2	LIGHT SWITCH	WHITE/RED	WH/RO
P3	REMOTE DISPLAY	SEE AUX. CHART	---
P4	BAFFLES	SEE AUX. CHART	---
P5	L2-NEUTRAL I15	WHITE	WHITE
P6	L1-HOT I15	BLACK	BLACK
P7	LIGHTS-120V OUT	ORANGE	ORANG
P8	EVAPORATOR FAN	RED	RED
P9	LIGHT ZONE I	WHITE/ORANGE	WH/OR
P10	TRANSFORMER IN-12V	WHITE/BLACK	WH/BK
P12	LIGHTS-LOWER-12V	WHITE/BROWN	WH/BR
P13	---	---	---
P14	COMPRESSOR	PURPLE	PURPL
P15	MANUFACTURING TEST	---	TEST

PART NUMBER 3754330  
REVISION A

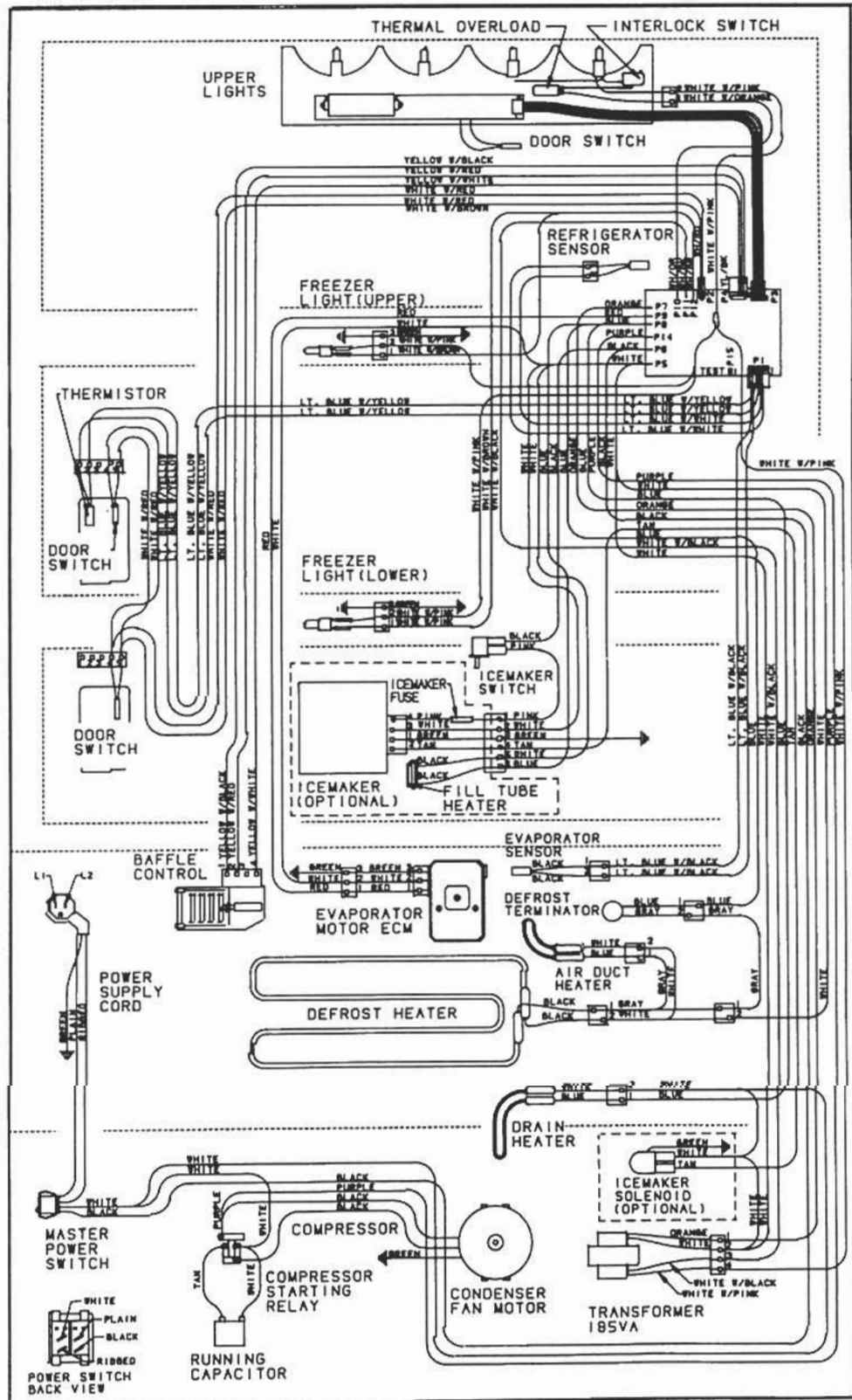
WIRING SCHEMATIC - 700TR



PART NUMBER 3754330  
REVISION A

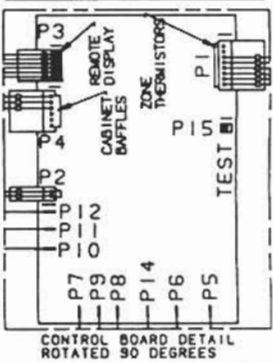
WIRING DIAGRAM - 700TC/I

WIRING DIAGRAM - MODEL 700TC, 700TCI



**WARNING**

This wiring information is provided for use by qualified service personnel only. Disconnect appliance from electrical supply before beginning service. Be sure all grounding devices are connected when service is completed. Failure to observe the above warnings may result in severe electrical shock.

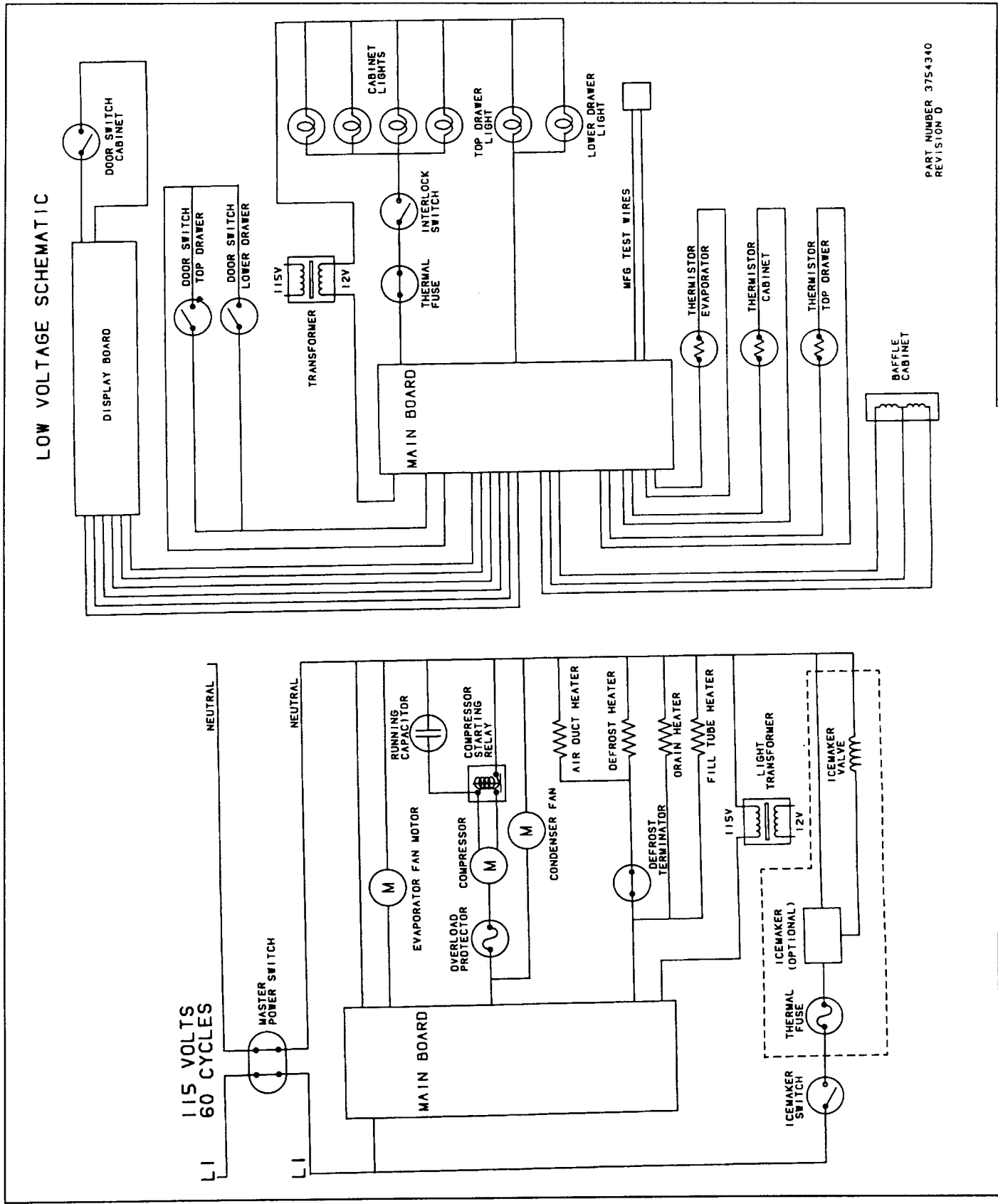


TERM.	DESCRIPTION	COLOR	ABBV.
P1	REFRIGERATOR SENSOR	ORANGE	OR
P2	FREEZER LIGHT (UPPER)	WHITE	WH
P3	FREEZER LIGHT (LOWER)	WHITE	WH
P4	DOOR SWITCH	WHITE	WH
P5	ICE MAKER SWITCH	BLACK	BL
P6	ICE MAKER FILL TUBE HEATER	BLACK	BL
P7	EVAPORATOR SENSOR	BLACK	BL
P8	DEFROST TERMINATOR	BLACK	BL
P9	AIR DUCT HEATER	BLACK	BL
P10	DRAIN HEATER	BLACK	BL
P11	ICE MAKER SOLENOID (OPTIONAL)	ORANGE	OR
P12	ICE MAKER FILL TUBE HEATER	BLACK	BL
P13	ICE MAKER FILL TUBE HEATER	BLACK	BL
P14	ICE MAKER FILL TUBE HEATER	BLACK	BL
P15	ICE MAKER FILL TUBE HEATER	BLACK	BL

TERM.	DESCRIPTION	COLOR	ABBV.
P1	REFRIGERATOR SENSOR	ORANGE	OR
P2	FREEZER LIGHT (UPPER)	WHITE	WH
P3	FREEZER LIGHT (LOWER)	WHITE	WH
P4	DOOR SWITCH	WHITE	WH
P5	ICE MAKER SWITCH	BLACK	BL
P6	ICE MAKER FILL TUBE HEATER	BLACK	BL
P7	EVAPORATOR SENSOR	BLACK	BL
P8	DEFROST TERMINATOR	BLACK	BL
P9	AIR DUCT HEATER	BLACK	BL
P10	DRAIN HEATER	BLACK	BL
P11	ICE MAKER SOLENOID (OPTIONAL)	ORANGE	OR
P12	ICE MAKER FILL TUBE HEATER	BLACK	BL
P13	ICE MAKER FILL TUBE HEATER	BLACK	BL
P14	ICE MAKER FILL TUBE HEATER	BLACK	BL
P15	ICE MAKER FILL TUBE HEATER	BLACK	BL

PART NUMBER 3754340  
REVISION D

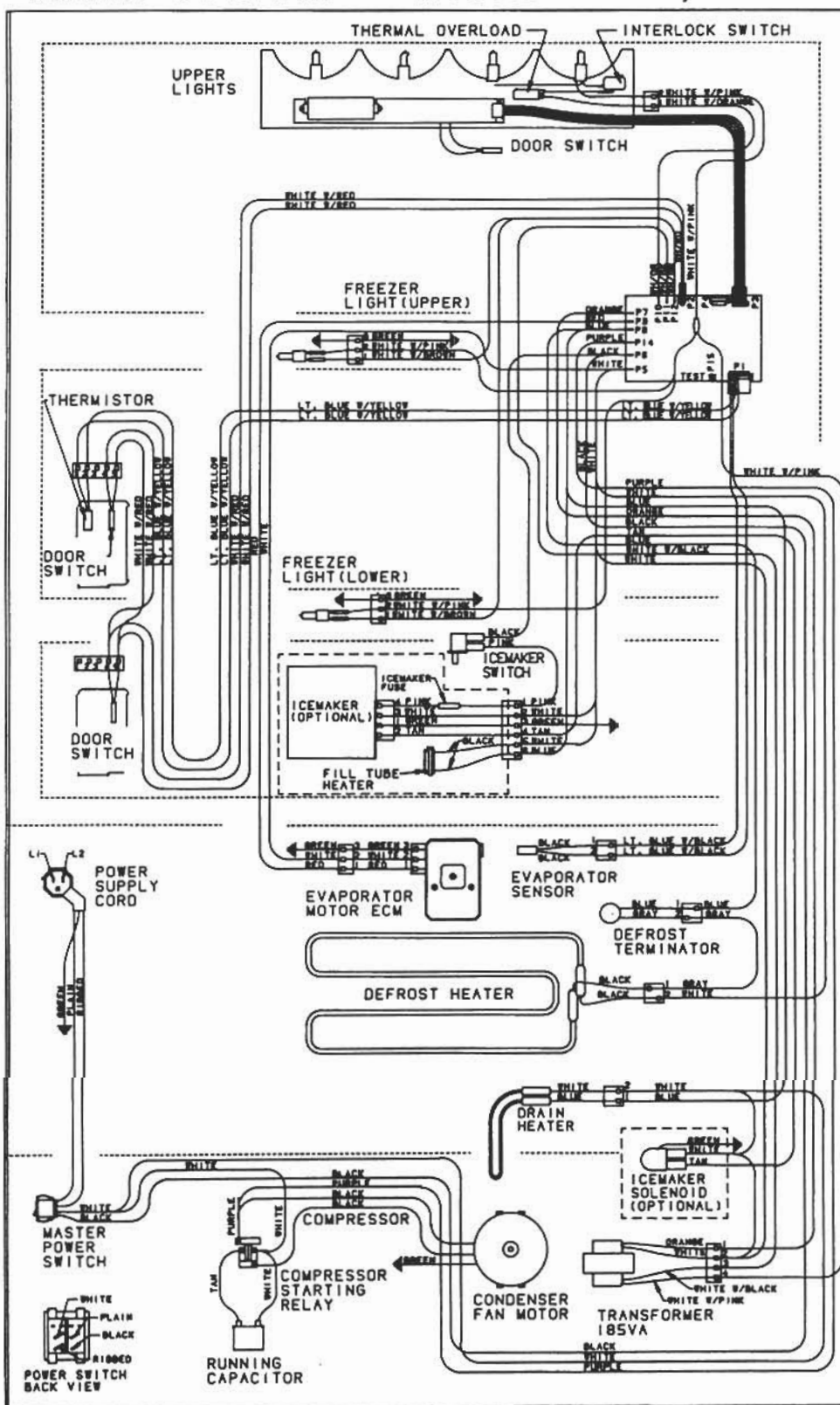
WIRING SCHEMATIC - 700TC/I



PART NUMBER 3754340  
REVISION D

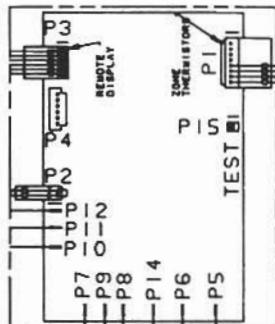
WIRING DIAGRAM - 700TF/I

WIRING DIAGRAM - MODEL 700TF, 700TFI



**WARNING**

This wiring information is provided for use by qualified service personnel only. Disconnect appliance from electrical supply before beginning service. Be sure all grounding devices are connected when service is completed. Failure to observe the above warnings may result in severe electrical shock.



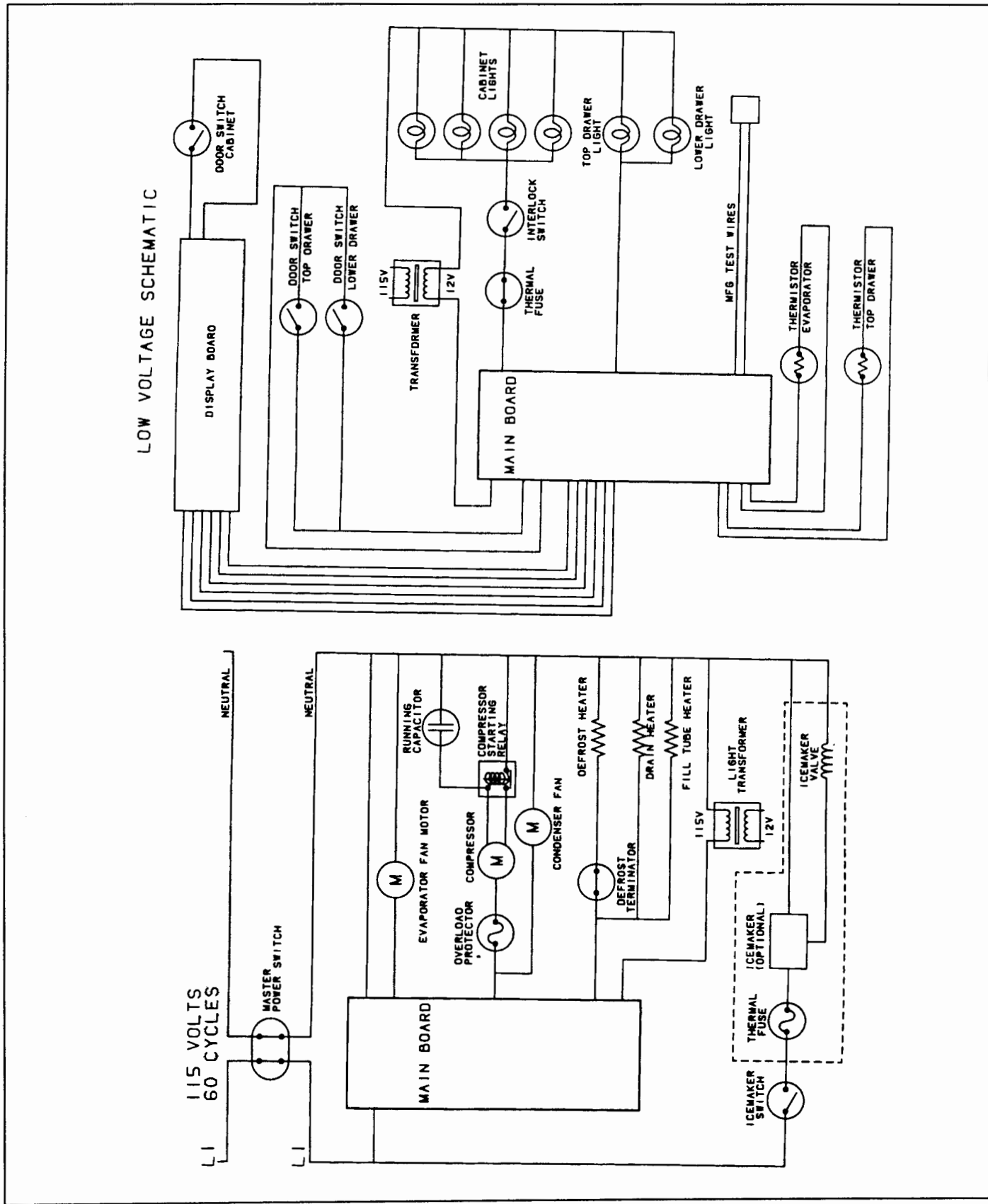
AUXILIARY CHART

TERM. NO.	COLOR
P1	EMPTY
P2	EMPTY
P3	EMPTY
P4	EMPTY
P5	LT. BLUE W/YELLOW
P6	LT. BLUE W/BLACK
P7	LT. BLUE W/BLACK
P8	LT. BLUE W/BLACK
P9	BLACK
P10	WHITE
P11	RED
P12	YELLOW
P13	ORANGE
P14	BLUE

TERM. DESCRIPTION	COLOR	ABBR.
P1 THERMISTORS	SEE AUX. CHART	WH/RO
P2 LIGHT SWITCH	WHITE/RED	WH/RO
P3 REMOTE DISPLAY	SEE AUX. CHART	
P4		
P5	WHITE	WHITE
P6	BLACK	BLACK
P7 LIGHTS-120V OUT	ORANGE	ORANG
P8 DEFROST HEATER	BLUE	BLUE
P9 EVAPORATOR FAN	RED	RED
P10 LIGHT ZONE 1	WHITE/ORANGE	WH/OR
P11 TRANSFORMER IN-12V	WHITE/BLACK	WH/BRK
P12 LIGHTS-LOWER-12V	WHITE/BROWN	WH/BR
P13		
P14 COMPRESSOR	PURPLE	PURPL
P15 MANUFACTURING TEST		TEST

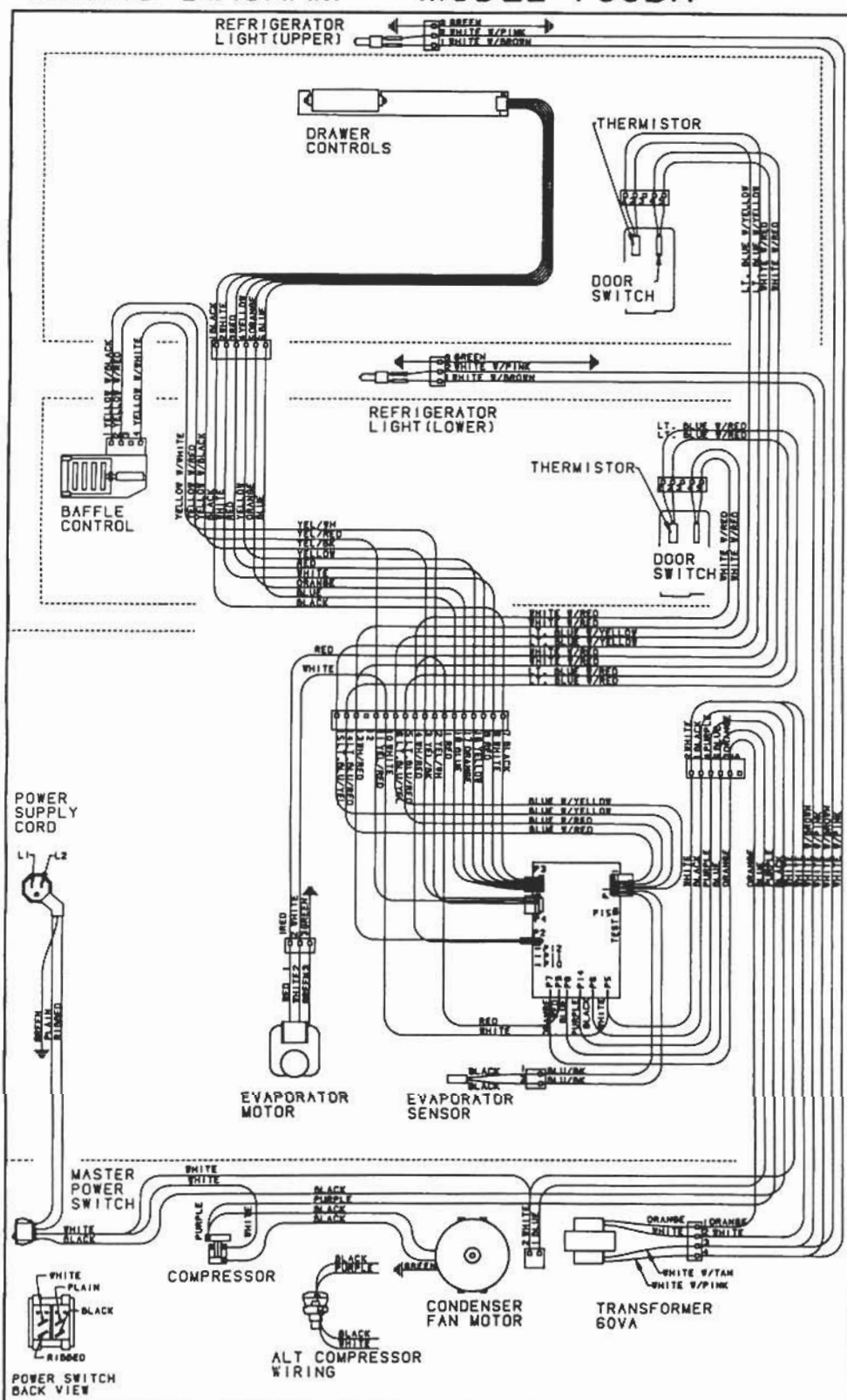
PART NUMBER 3754350  
REVISION C

WIRING SCHEMATIC - 700TF/I



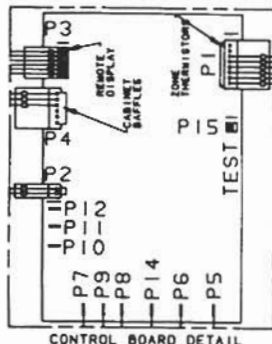
WIRING DIAGRAM - 700BR

WIRING DIAGRAM - MODEL 700BR



**WARNING**

This wiring information is provided for use by qualified service personnel only.  
 Disconnect appliance from electrical supply before beginning service.  
 Be sure all grounding devices are connected when service is completed.  
 Failure to observe the above warnings may result in severe electrical shock.



CONTROL BOARD DETAIL

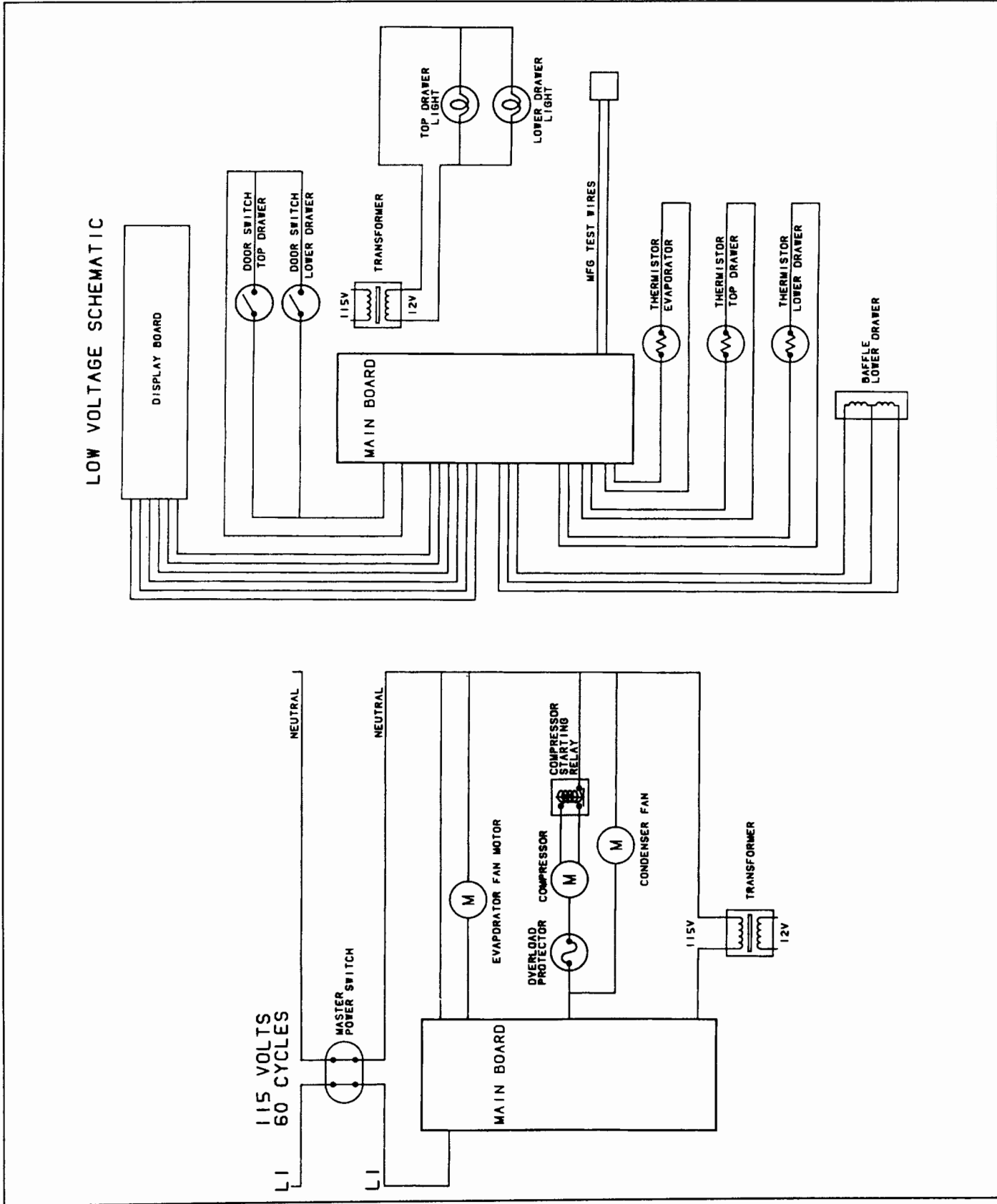
TERM.	DESCRIPTION	COLOR	ABBR.
P1	1	WHITE	WH/WT
P1	2	WHITE	WH/WT
P1	3	WHITE	WH/WT
P1	4	WHITE	WH/WT
P1	5	WHITE	WH/WT
P1	6	WHITE	WH/WT
P1	7	WHITE	WH/WT
P1	8	WHITE	WH/WT
P1	9	WHITE	WH/WT
P1	10	WHITE	WH/WT
P1	11	WHITE	WH/WT
P1	12	WHITE	WH/WT
P1	13	WHITE	WH/WT
P1	14	WHITE	WH/WT
P1	15	WHITE	WH/WT
P1	16	WHITE	WH/WT
P1	17	WHITE	WH/WT
P1	18	WHITE	WH/WT
P1	19	WHITE	WH/WT
P1	20	WHITE	WH/WT
P1	21	WHITE	WH/WT
P1	22	WHITE	WH/WT
P1	23	WHITE	WH/WT
P1	24	WHITE	WH/WT
P1	25	WHITE	WH/WT
P1	26	WHITE	WH/WT
P1	27	WHITE	WH/WT
P1	28	WHITE	WH/WT
P1	29	WHITE	WH/WT
P1	30	WHITE	WH/WT
P1	31	WHITE	WH/WT
P1	32	WHITE	WH/WT
P1	33	WHITE	WH/WT
P1	34	WHITE	WH/WT
P1	35	WHITE	WH/WT
P1	36	WHITE	WH/WT
P1	37	WHITE	WH/WT
P1	38	WHITE	WH/WT
P1	39	WHITE	WH/WT
P1	40	WHITE	WH/WT
P1	41	WHITE	WH/WT
P1	42	WHITE	WH/WT
P1	43	WHITE	WH/WT
P1	44	WHITE	WH/WT
P1	45	WHITE	WH/WT
P1	46	WHITE	WH/WT
P1	47	WHITE	WH/WT
P1	48	WHITE	WH/WT
P1	49	WHITE	WH/WT
P1	50	WHITE	WH/WT
P1	51	WHITE	WH/WT
P1	52	WHITE	WH/WT
P1	53	WHITE	WH/WT
P1	54	WHITE	WH/WT
P1	55	WHITE	WH/WT
P1	56	WHITE	WH/WT
P1	57	WHITE	WH/WT
P1	58	WHITE	WH/WT
P1	59	WHITE	WH/WT
P1	60	WHITE	WH/WT
P1	61	WHITE	WH/WT
P1	62	WHITE	WH/WT
P1	63	WHITE	WH/WT
P1	64	WHITE	WH/WT
P1	65	WHITE	WH/WT
P1	66	WHITE	WH/WT
P1	67	WHITE	WH/WT
P1	68	WHITE	WH/WT
P1	69	WHITE	WH/WT
P1	70	WHITE	WH/WT
P1	71	WHITE	WH/WT
P1	72	WHITE	WH/WT
P1	73	WHITE	WH/WT
P1	74	WHITE	WH/WT
P1	75	WHITE	WH/WT
P1	76	WHITE	WH/WT
P1	77	WHITE	WH/WT
P1	78	WHITE	WH/WT
P1	79	WHITE	WH/WT
P1	80	WHITE	WH/WT
P1	81	WHITE	WH/WT
P1	82	WHITE	WH/WT
P1	83	WHITE	WH/WT
P1	84	WHITE	WH/WT
P1	85	WHITE	WH/WT
P1	86	WHITE	WH/WT
P1	87	WHITE	WH/WT
P1	88	WHITE	WH/WT
P1	89	WHITE	WH/WT
P1	90	WHITE	WH/WT
P1	91	WHITE	WH/WT
P1	92	WHITE	WH/WT
P1	93	WHITE	WH/WT
P1	94	WHITE	WH/WT
P1	95	WHITE	WH/WT
P1	96	WHITE	WH/WT
P1	97	WHITE	WH/WT
P1	98	WHITE	WH/WT
P1	99	WHITE	WH/WT
P1	100	WHITE	WH/WT

TERM.	DESCRIPTION	COLOR	ABBR.
P1	THERMISTORS	SEE AUX. CHART	WH/TL
P2	LIGHT SWITCH	WHITE/RED	WH/RD
P3	REMOTE DISPLAY	SEE AUX. CHART	---
P4	CABINET BAFFLES	SEE AUX. CHART	---
P5	L2-NEUTRAL I15	WHITE	WHITE
P6	L1-HOT I15	BLACK	BLACK
P7	L1-HOT I15	ORANGE	ORANG
P8	L1-HOT I15	ORANGE	ORANG
P9	EVAPORATOR FAN	RED	RED
P10	---	---	---
P11	---	---	---
P12	---	---	---
P13	COMPRESSOR	PURPLE	PURPL
P14	COMPRESSOR	PURPLE	PURPL
P15	MANUFACTURING TEST	---	TEST

PART NUMBER 3754360  
 REVISION A

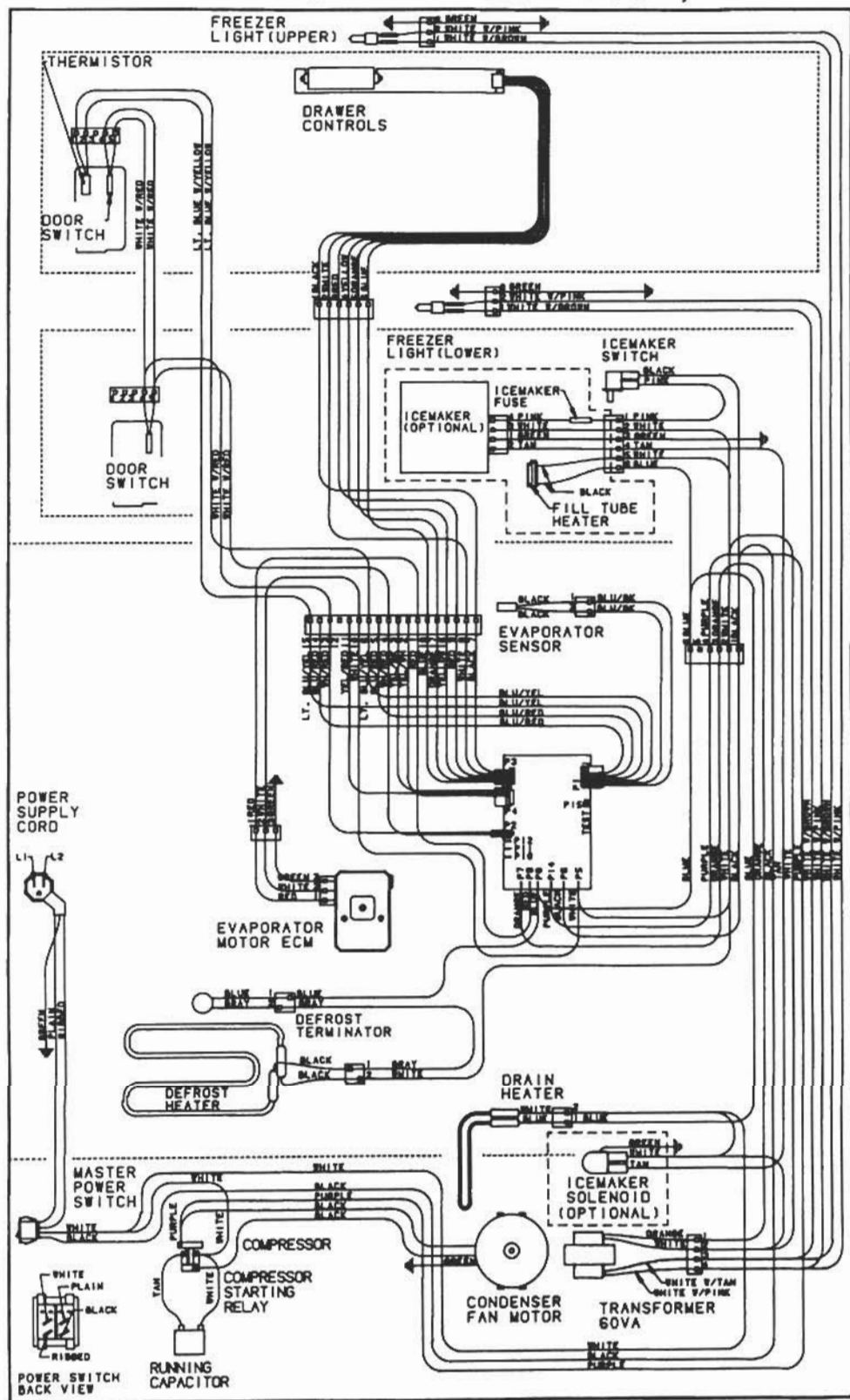


WIRING SCHEMATIC - 700BR



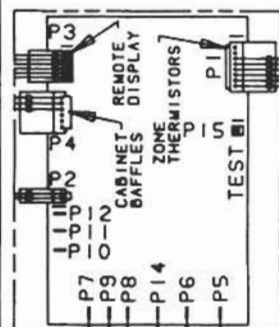
WIRING DIAGRAM - 700BF/I

WIRING DIAGRAM - MODEL 700BF, 700BF/I



**WARNING**

This wiring information is provided for use by qualified service personnel only.  
 Disconnect appliance from electrical supply before beginning service.  
 Be sure all grounding devices are connected when service is completed.  
 Failure to observe the above warnings may result in severe electrical shock.



CONTROL BOARD DETAIL

TERM. No.	COLOR
P1	EMPTY
2	LT. BLUE W/WHITE
3	LT. BLUE W/YELLOW
4	LT. BLUE W/WHITE
5	LT. BLUE W/YELLOW
6	LT. BLUE W/BLACK
7	LT. BLUE W/BLACK
8	LT. BLUE W/BLACK
P3	BLACK
2	WHITE
3	RED
4	YELLOW
5	ORANGE
6	BLUE

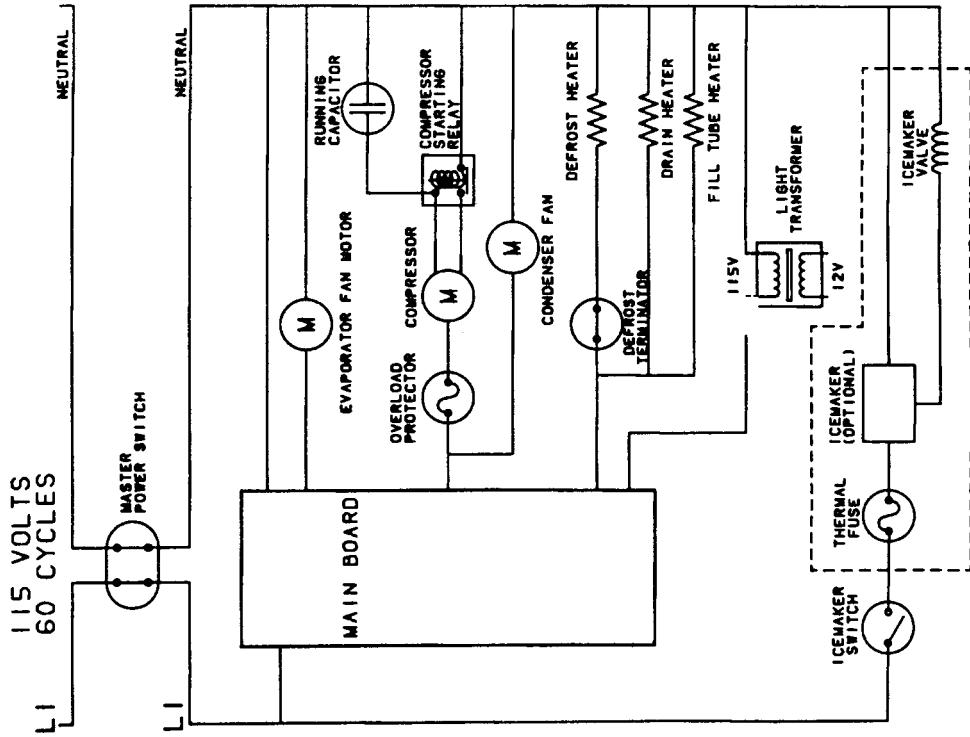
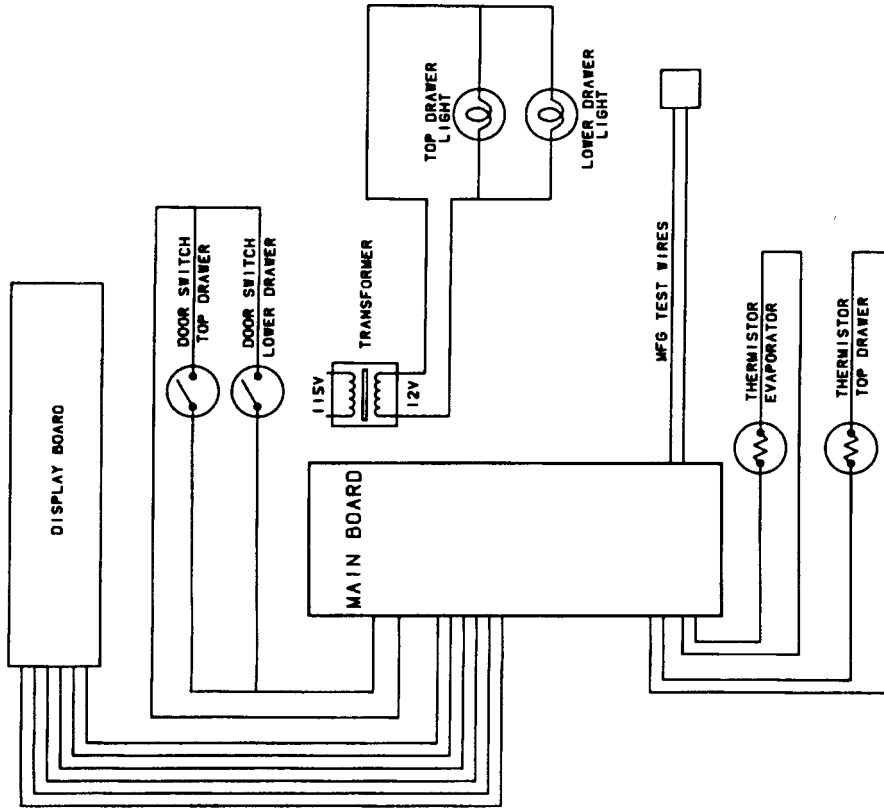
AUXILIARY CHART

TERM.	DESCRIPTION	COLOR	ABBR.
P1	THERMISTORS	SEE MK. DWMT	
P2	LIGHT SWITCH	WHITE/RED	BN/RD
P3	REMOTE DISPLAY	SEE MK. DWMT	
P4	BAFFLES	SEE MK. DWMT	
P5	L2-NEUTRAL IIS	WHITE	WHITE
P6	L1-HOT IIS	BLACK	BLACK
P7	LIGHTS-120V OUT	ORANGE	DRANG
P8	DEFROST HEATER	BLUE	BLUE
P9	EVAPORATOR FAN	RED	RED
P10			
P11			
P12			
P13	COMPRESSOR	PURPLE	PURPL
P14	COMPRESSOR	PURPLE	PURPL
P15	MANUFACTURING TEST		TEST

PART NUMBER 3754370  
 REVISION C

WIRING SCHEMATIC - 700BF/I

LOW VOLTAGE SCHEMATIC



PART NUMBER 3754970  
REVISION C