

SECTION 5

AIR FLOW

For proper airflow, evaporator fan blades must be pushed onto the fan motor shafts fully, so that the motor shafts touch the fan blade stop point.

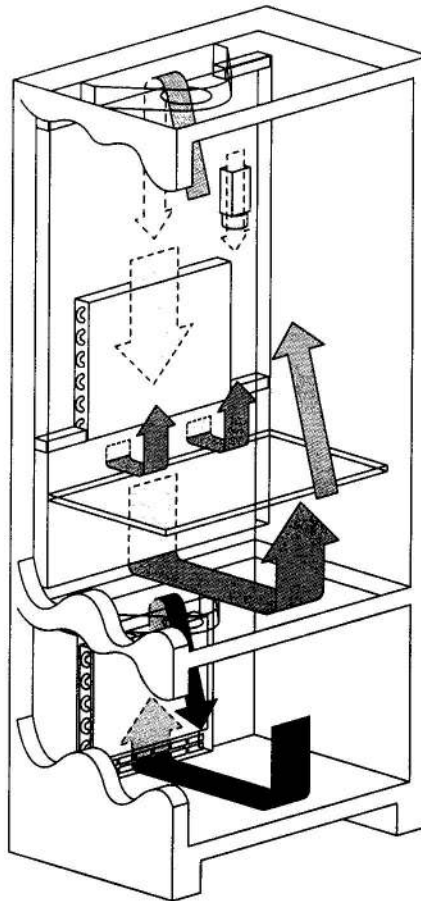


Figure 5-1. Air Flow, Models BI-30U, BI-30UG, BI-36U, BI-36UG

For proper airflow, the evaporator fan blade must be pushed onto the motor shaft fully, so that the motor shaft touches the fan blade stop point.

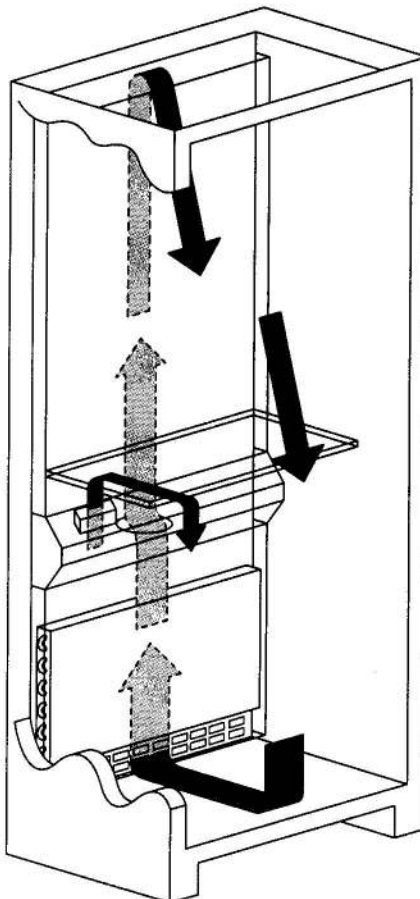
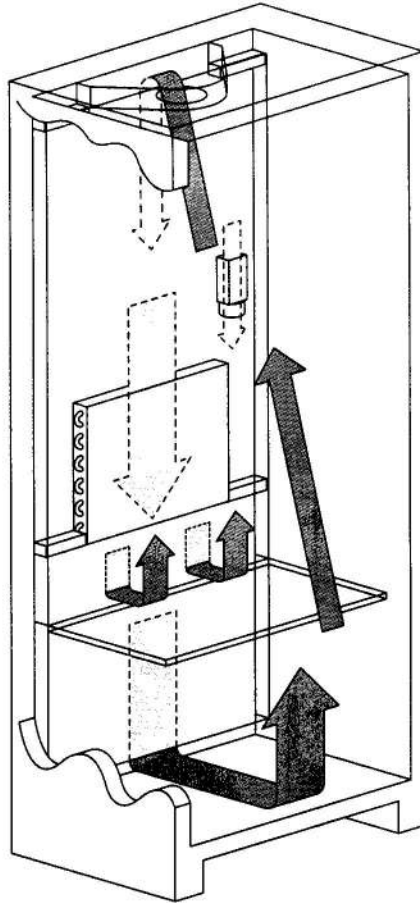
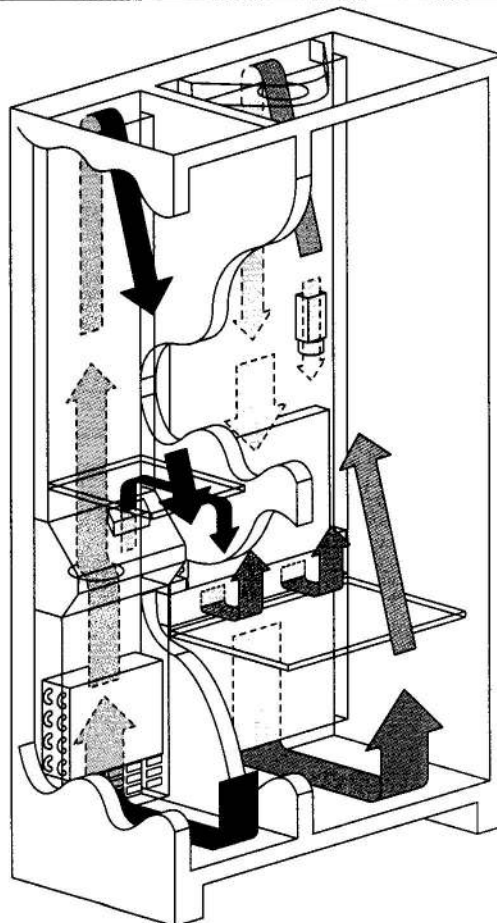


Figure 5-2. Air Flow, Model BI-36F



For proper airflow, the evaporator fan blade must be pushed onto the motor shaft fully, so that the motor shaft touches the fan blade stop point.

Figure 5-3. Air Flow, Model BI-36R and BI-36RG



For proper airflow, evaporator fan blades must be pushed onto the fan motor shafts fully, so that the motor shafts touch the fan blade stop point.

Figure 5-4. Air Flow, Models BI-36S, BI-42S and BI-48S

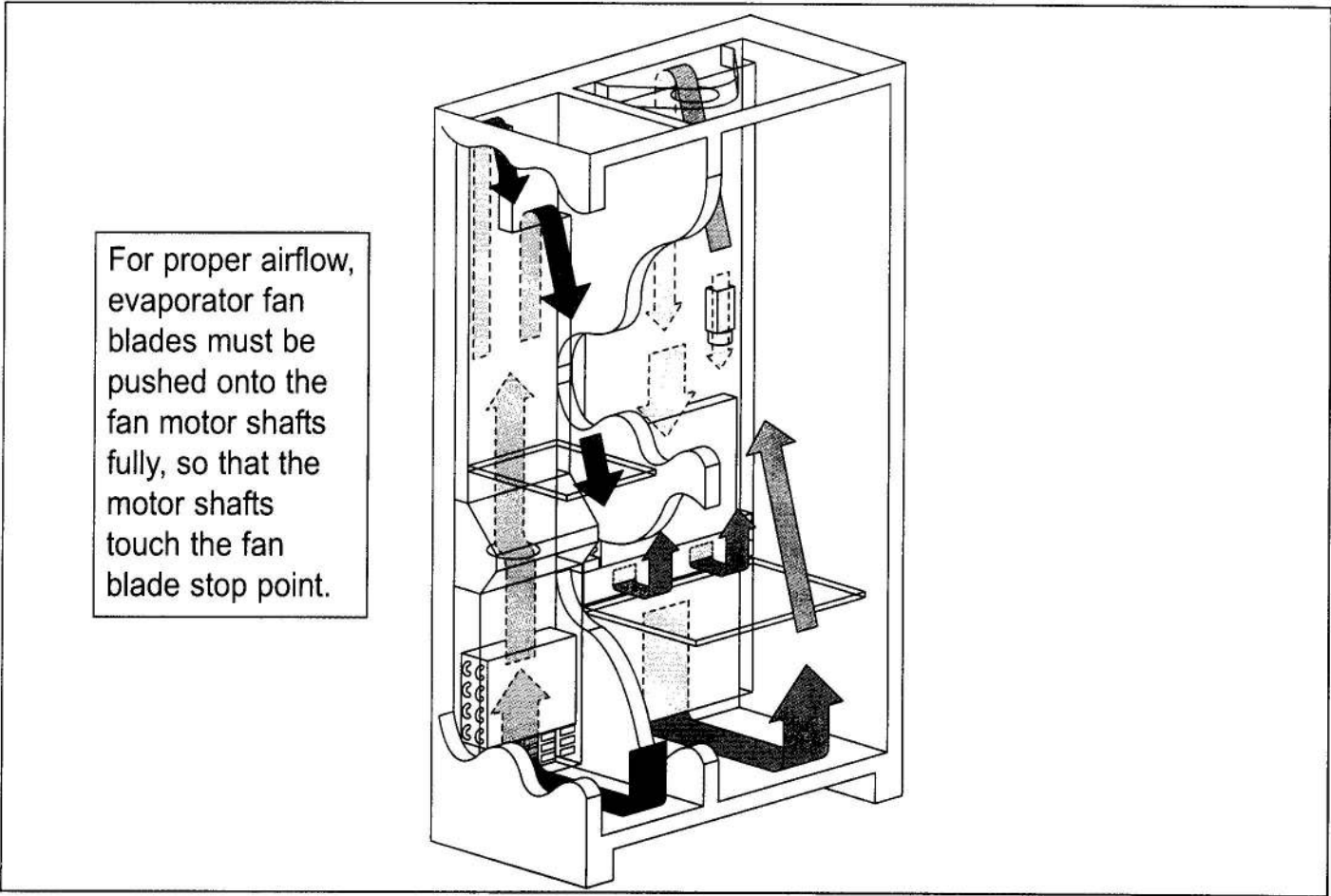


Figure 5-5. Air Flow, Models BI-42SD and BI-48SD