

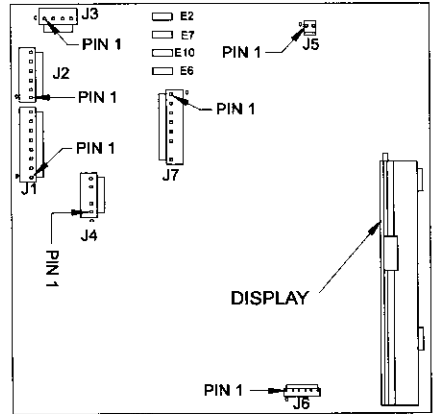
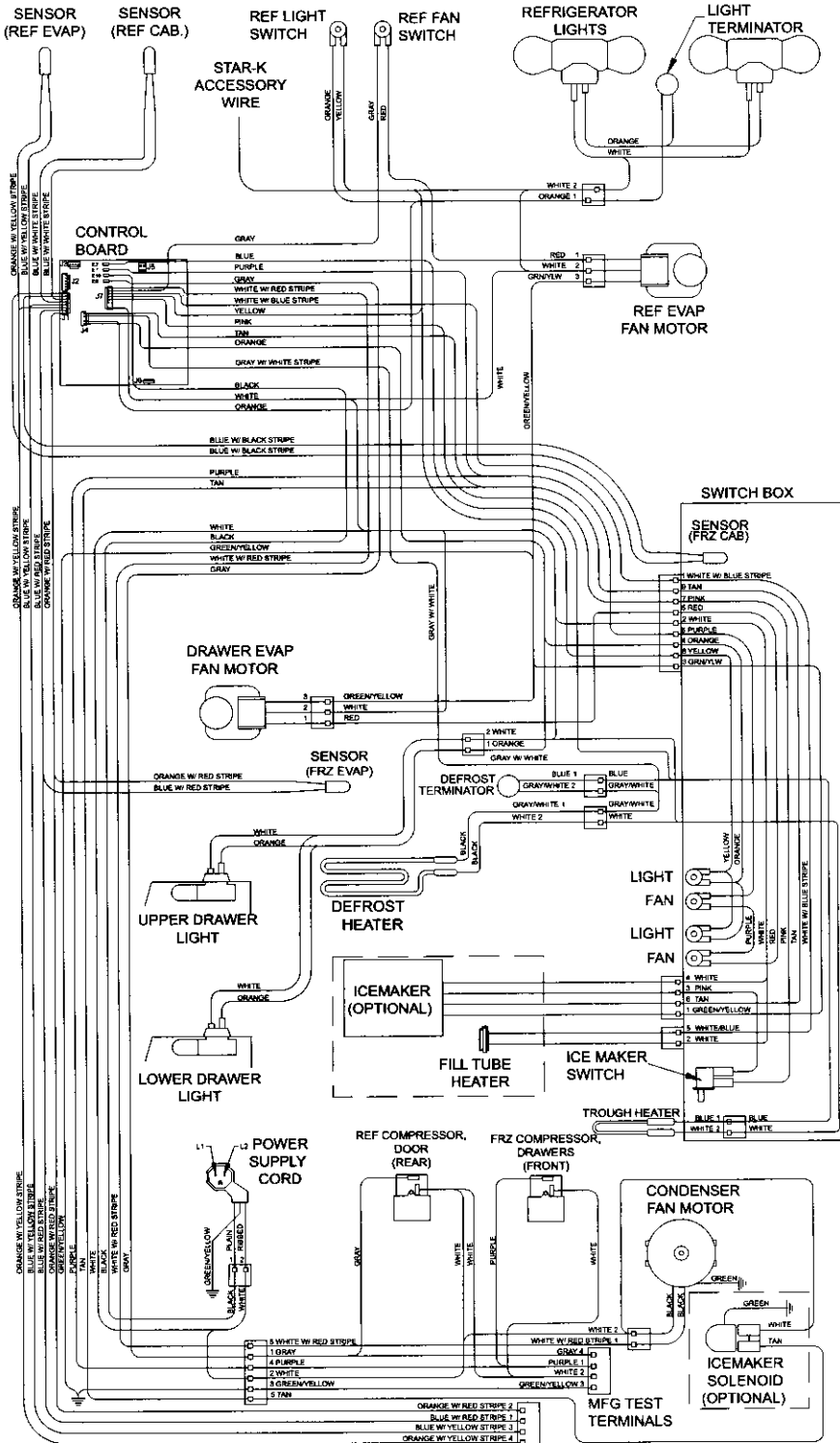


PART NUMBER 3758574 REV B

WIRING DIAGRAM MODEL: 700TC-3

⚠ WARNING

-This wiring information is provided for use by qualified service personnel only.
 -Disconnect appliance from electrical supply before beginning service.
 -Be sure all grounding devices are connected when service is complete.
 -Failure to observe the above warnings may result in severe electrical shock.



CONTROL BOARD DETAIL

CONTROL BOARD SUMMARY		COLOR
DEFHTR	DEFROST HEATER	BLUE
FCOMP	FAN COMPRESSOR	PURPLE
E0	POWER INTO BOARD (DRAWERS)	BLACK
E10	POWER INTO BOARD (DOOR)	GRAY
E6	POWER REF COMPRESSOR	WHITE/RED
J7-1	POWER CONDENSER FAN	GRAY
J7-2	FAN SW	WHITE/RED
J7-3	ICE MAKER ACC (FILL TUBE)	WHITE/BLUE
J7-4	REF LIGHTS	YELLOW
J7-5	REF LIGHTS	YELLOW
J7-6	ICE MAKER	PINK
J7-7	ICE MAKER (DRND PIN)	NOT USED
J7-8	NEUTRAL	NEUTRAL
J4-1	REF LIGHTS SENSE	WHITE
J4-2	DOOR LIGHTS SENSE	ORANGE/BLACK
J4-3	R. DR.	ORANGE
J4-4	DOOR LIGHTS SENSE	GRAY/WHITE
J4-5	DEF SENSOR	TAN
J4-6	ICE MAKER VALVE SENSE	GRAY/WHITE
J4-7	LOW VOLT DEFROST CIRCUITS	TAN
J1-1	EVAP FRZ	ORANGE/RED
J1-2	EVAP FRZ	BLUE/RED
J1-3	EVAP REF	ORANGE/YEL
J1-4	EVAP REF	BLUE/YELLOW
J1-5	REF	BLUE/WHITE
J1-6	REF	BLUE/WHITE
J1-7	REF COMPARTMENT	BLUE/BLACK
J1-8	REF COMPARTMENT	BLUE/BLACK
J1-9	FRZ	BLUE/BLACK

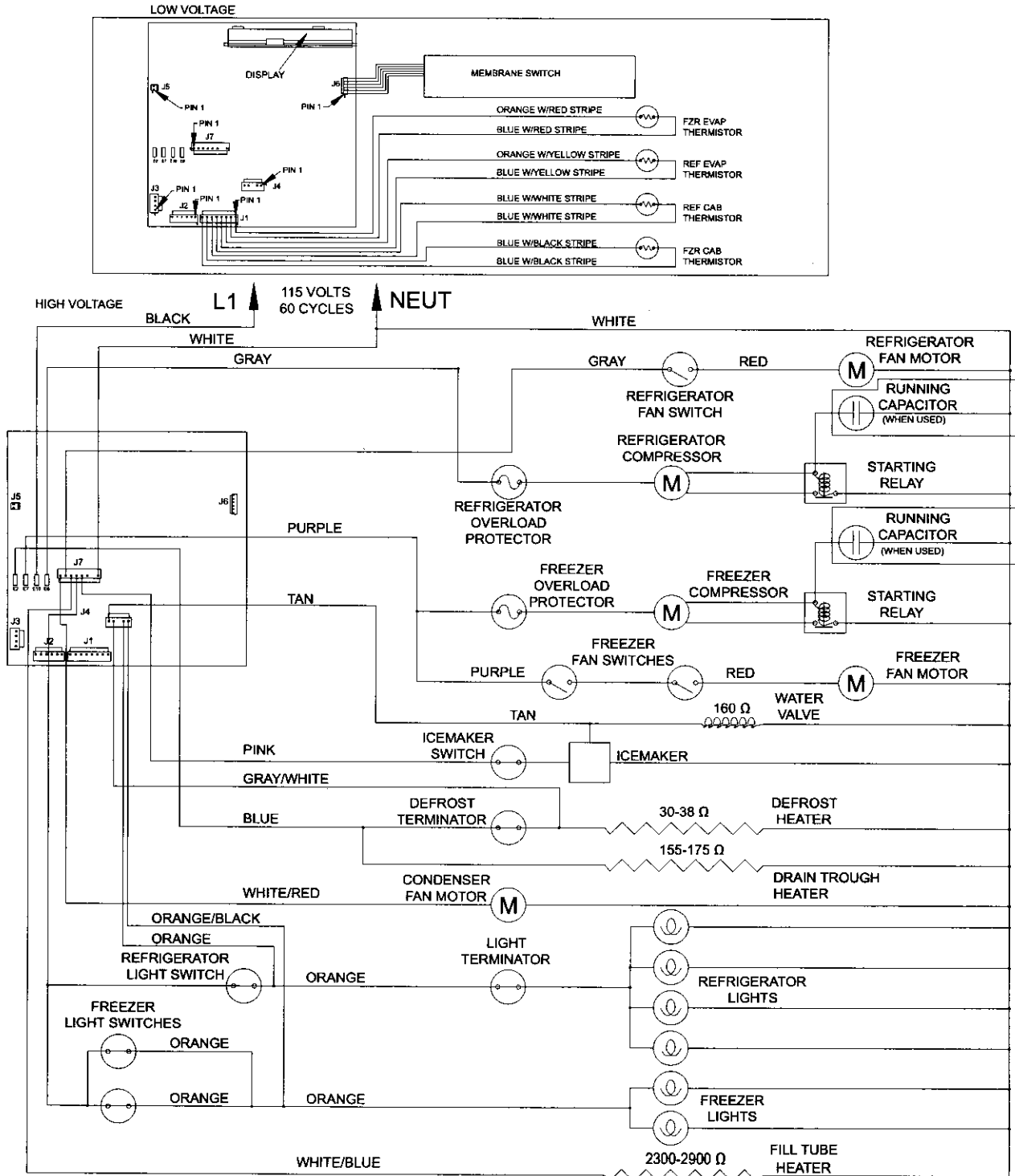


PART NUMBER 3758574 REV B

WIRING SCHEMATIC MODEL: 700TC-3

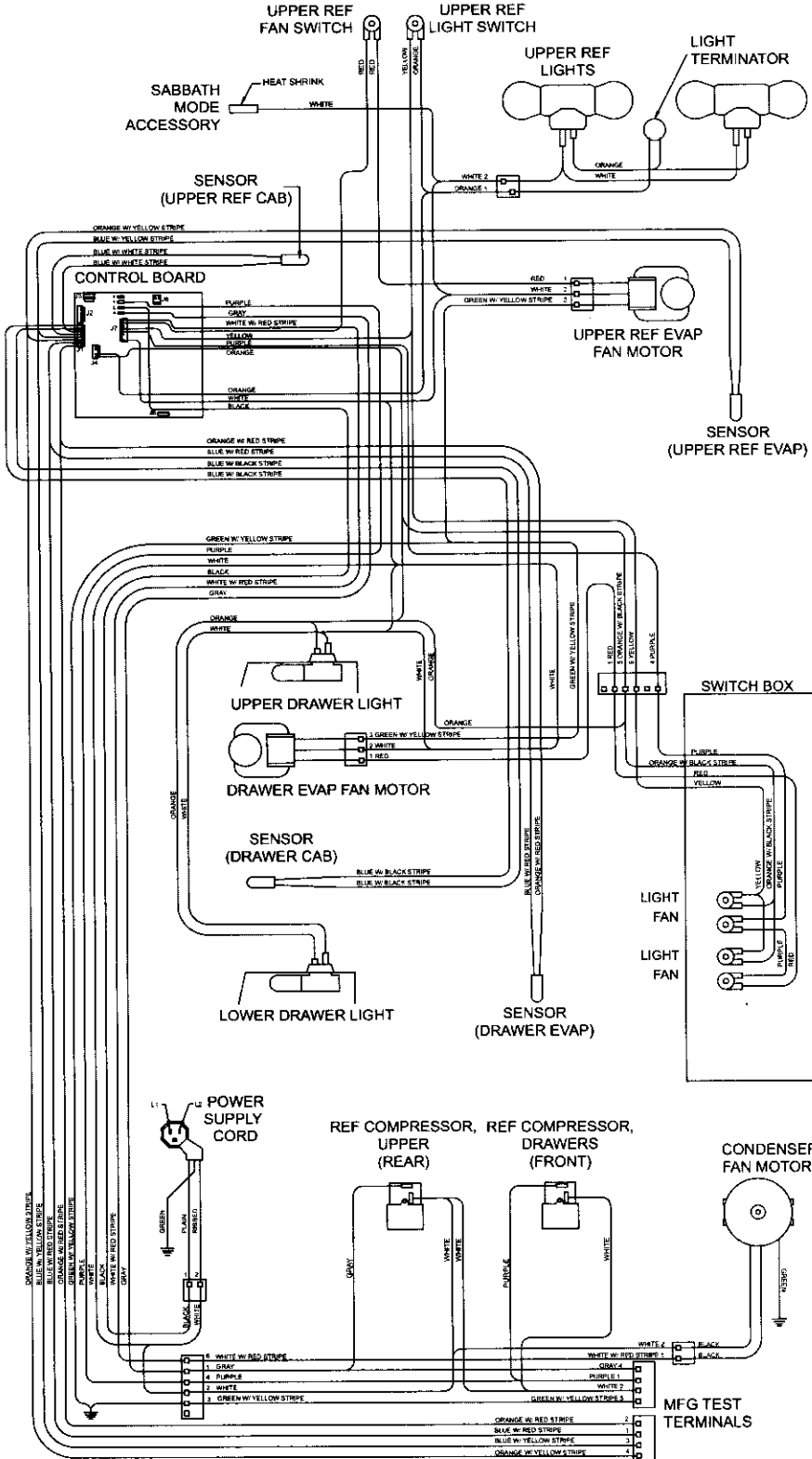
WARNING

- This wiring information is provided for use by qualified service personnel only.
- Disconnect appliance from electrical supply before beginning service.
- Be sure all grounding devices are connected when service is complete.
- Failure to observe the above warnings may result in severe electrical shock.



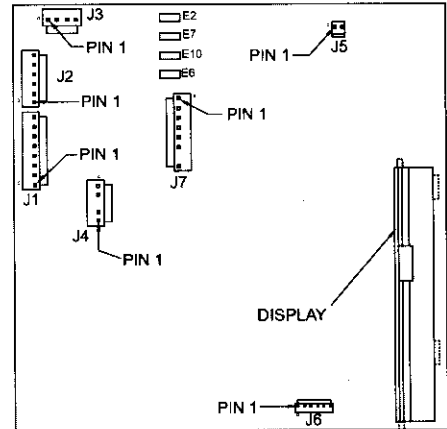


WIRING DIAGRAM MODEL: 700TR-3



WARNING

-This wiring information is provided for use by qualified service personnel only.
 -Disconnect appliance from electrical supply before beginning service.
 -Be sure all grounding devices are connected when service is complete.
 -Failure to observe the above warnings may result in severe electrical shock.



CONTROL BOARD DETAIL

CONTROL BOARD SUMMARY

CIRCUIT	DESCRIPTION	FUNCTION	COLOR
E2	120 VOLT CIRCUITS		PURPLE
E7	NOT USED		BLACK
E10	DRAWER REF COMPRESSOR	POWERS REF COMP FOR 2 DRAWER SECTION	GRAY
E6	POWER INTO BOARD	POWERS UPPER REF COMP	WHITERED
J7-1	UPPER REF COMPRESSOR	POWERS CONDENSER FAN	RED
J7-2	CONDENSER FAN	POWERS REF EVAP FAN	YELLOW
J7-3	REF EVAP FAN	POWERS LIGHTS	PURPLE
J7-4	NOT USED	POWERS DRAWER EVAP FAN	
J7-5	LITES		
J7-6	DRAWER EVAP FAN		
J7-7	NOT USED (REAR PIN)		
J7-8	NEUTRAL	NEUTRAL INTO BOARD	WHITE
J7-9	FDR	SENSES IF EITHER DRAWER OPEN	ORANGE
J7-10	R DR	SENSES IF DOOR OPEN	ORANGE
J7-11	NOT USED (PIN)		
J7-12	NOT USED		
J7-13	LOW VOLTAGE THERMISTOR CIRCUITS		
J1-1	EVAP FRZ	SENSES DRAWER EVAP TEMP	ORANGE/RED
J1-2	DRAWER EVAP	SENSES DRAWER EVAP TEMP	BLUE/RED
J1-3	EVAP REF	SENSES UPPER REF EVAP TEMP	ORANGE/YEL
J1-4	EVAP REF	SENSES UPPER REF EVAP TEMP	BLUE/YELLOW
J1-5	REF	SENSES UPPER REF CABINET TEMP	BLUE/WHITE
J1-6	REF	SENSES UPPER REF CABINET TEMP	BLUE/WHITE
J1-7	FRZ	SENSES DRAWER COMPARTMENT	BLUE/BLACK
J1-8	FRZ	SENSES DRAWER COMPARTMENT	BLUE/BLACK
J1-9	FRZ	SENSES DRAWER CABINET TEMP	BLUE/BLACK

PART NUMBER 3758504 REV A

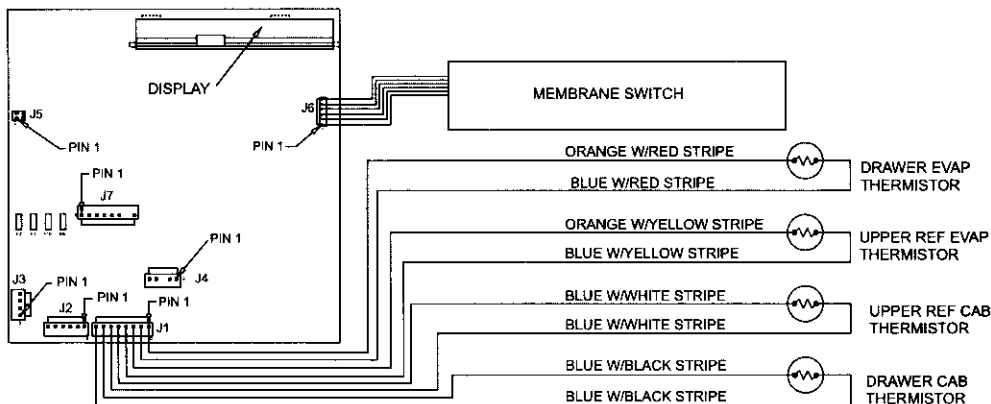


WIRING SCHEMATIC MODEL: 700TR-3

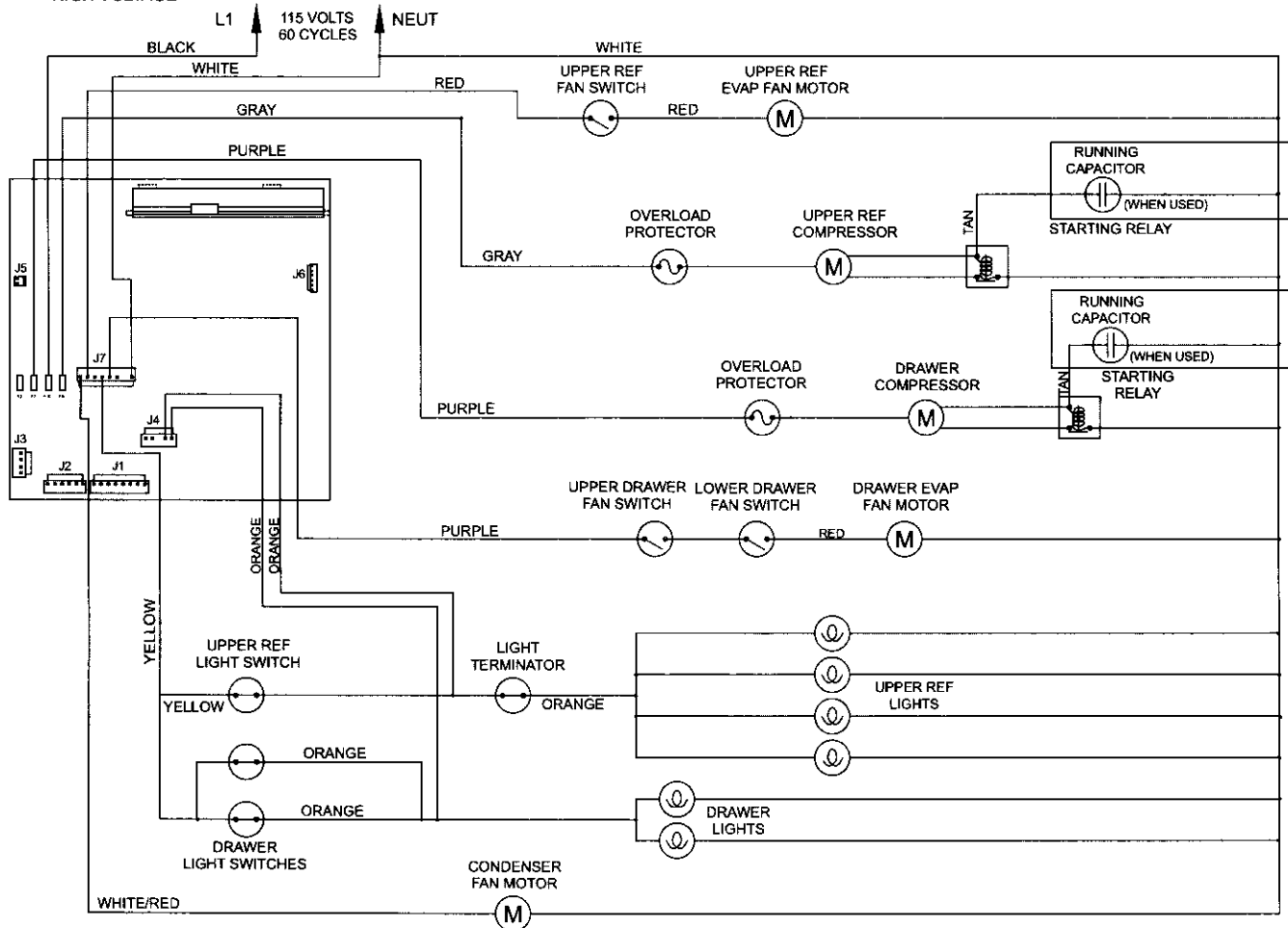
WARNING

-This wiring information is provided for use by qualified service personnel only.
 -Disconnect appliance from electrical supply before beginning service.
 -Be sure all grounding devices are connected when service is complete.
 -Failure to observe the above warnings may result in severe electrical shock.

LOW VOLTAGE



HIGH VOLTAGE



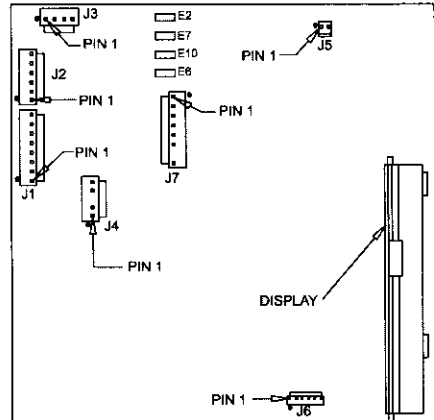
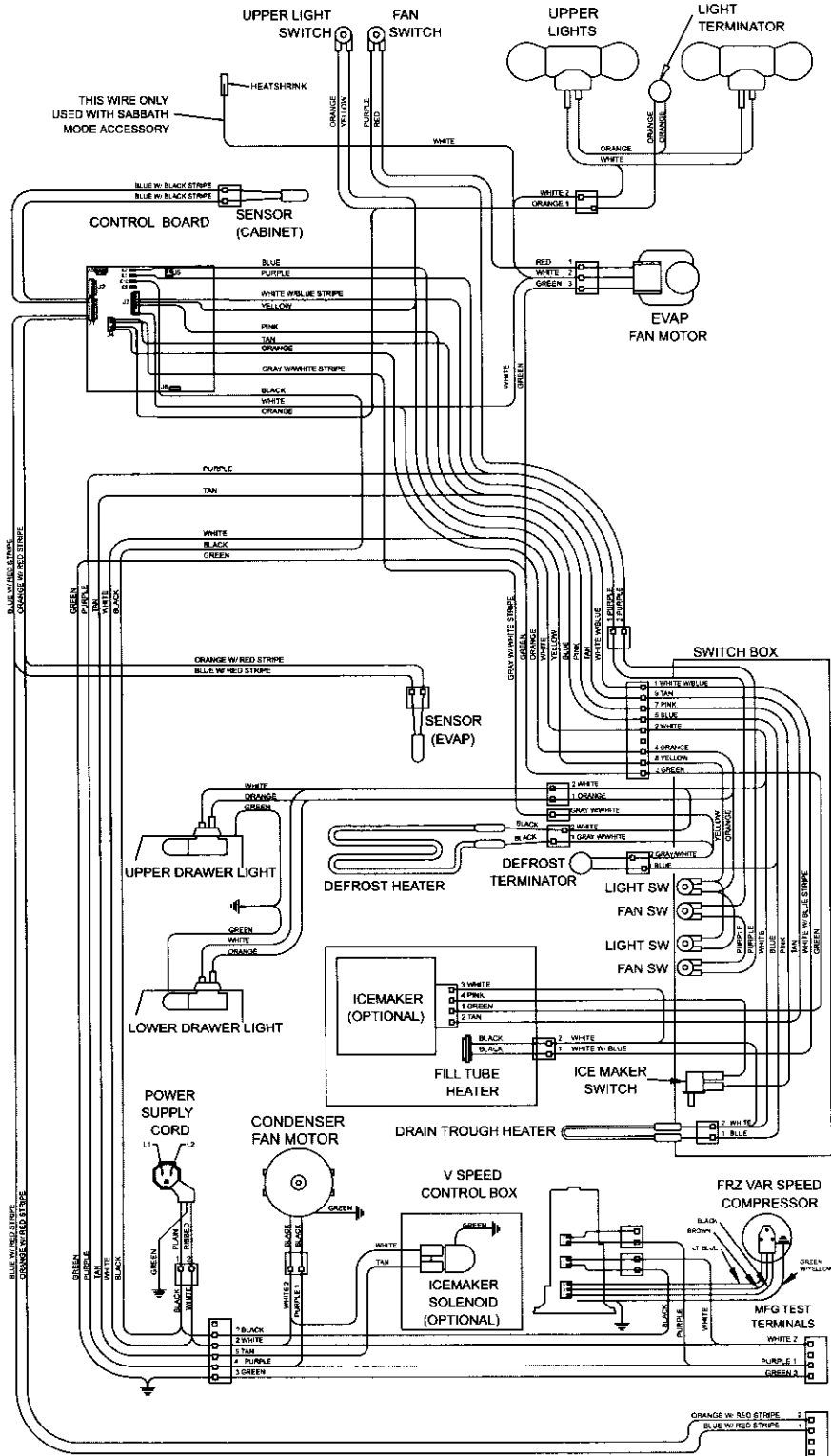
PART NUMBER 3758504 REV A



WIRING DIAGRAM MODEL: 700 TF/I-3

WARNING

- This wiring information is provided for use by qualified service personnel only.
- Disconnect appliance from electrical supply before beginning service.
- Be sure all grounding devices are connected when service is complete.
- Failure to observe the above warnings may result in severe electrical shock.



CONTROL BOARD DETAIL

CONTROL BOARD SUMMARY

CIRCUIT	DESCRIPTION	FUNCTION	COLOR
E2	120VOLT CIRCUITS	POWERS DEFROST CIRCUIT	BLUE
E7	DEF HTR	POWERS DEFROST CIRCUIT	PURPLE
E10	F COMP	POWERS COMPRESSOR	BLACK
E6	L1	POWER INTO BOARD	GRAY
J7-1	NOT USED	POWERS FULL TUBE HEATER AND ACCESSORIES	WHITETERED
J7-2	NOT USED	POWERS LIGHTS	WHITE/BLUE
J7-3	ICE MAKER ACC (FILL TUBE)	POWERS LIGHTS	YELLOW
J7-4	ICE	POWERS ICE MAKER	PINK
J7-5	ICE	POWERS ICE MAKER	WHITE
J7-6	NOT USED	NEUTRAL INTO BOARD	ORANGE
J7-7	NOT USED (NO PIN)	SENSES IF EITHER DRAWER OPEN	GRAY
J7-8	NEU	SENSES IF DOOR OPEN	GRAY/WHITE
J4-1	F DR	SENSES IF DEFROST HEATER IS ON OR OFF	TAN
J4-2	R DR	SENSES IF WATER VALVE IS ON OR OFF	ORANGE/RED
J4-3	NOT USED (NO PIN)	SENSES IF DEFROST HEATER IS ON OR OFF	BLUE/RED
J4-4	ICE MAKER VALVE SENSOR	SENSES IF WATER VALVE IS ON OR OFF	BLUE/BLACK
J4-5	ICE MAKER VALVE SENSOR	SENSES IF WATER VALVE IS ON OR OFF	
J1-1	EVAP FRZ	SENSES FRZ EVAP TEMP	
J1-2	EVAP FRZ	SENSES FRZ EVAP TEMP	
J1-3 THRU 6	NOT USED	SENSES FRZ CABINET TEMP	
J1-7 & 8	FRZ	SENSES FRZ CABINET TEMP	

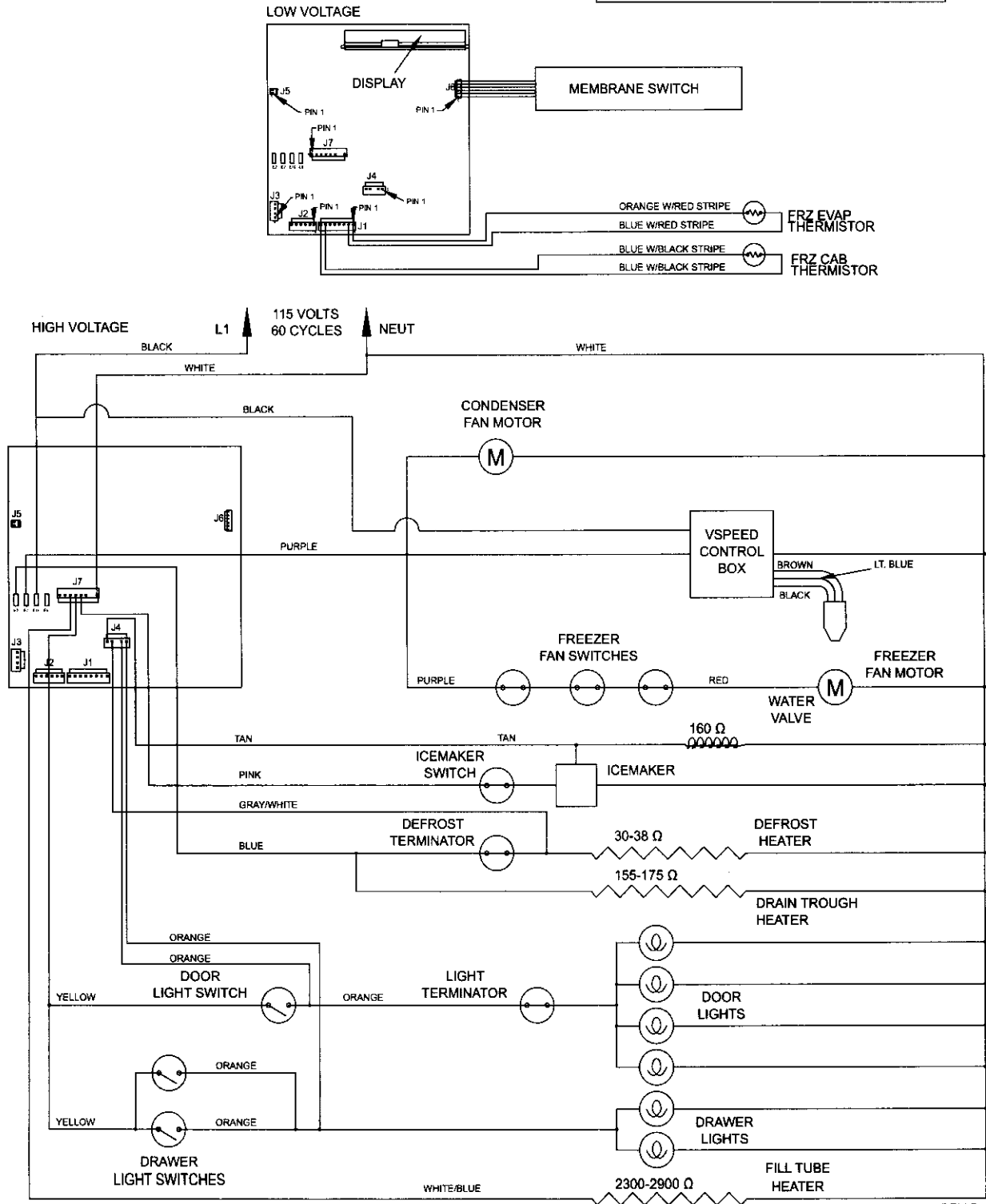
P/N 3758594 REV B

WIRING SCHEMATIC

MODEL: 700 TF/I-3

WARNING

-This wiring information is provided for use by qualified service personnel only.
 -Disconnect appliance from electrical supply before beginning service.
 -Be sure all grounding devices are connected when service is complete.
 -Failure to observe the above warnings may result in severe electrical shock.



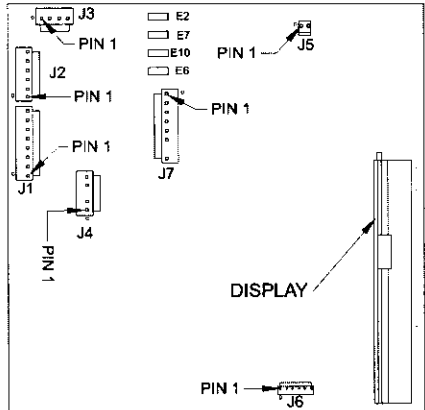
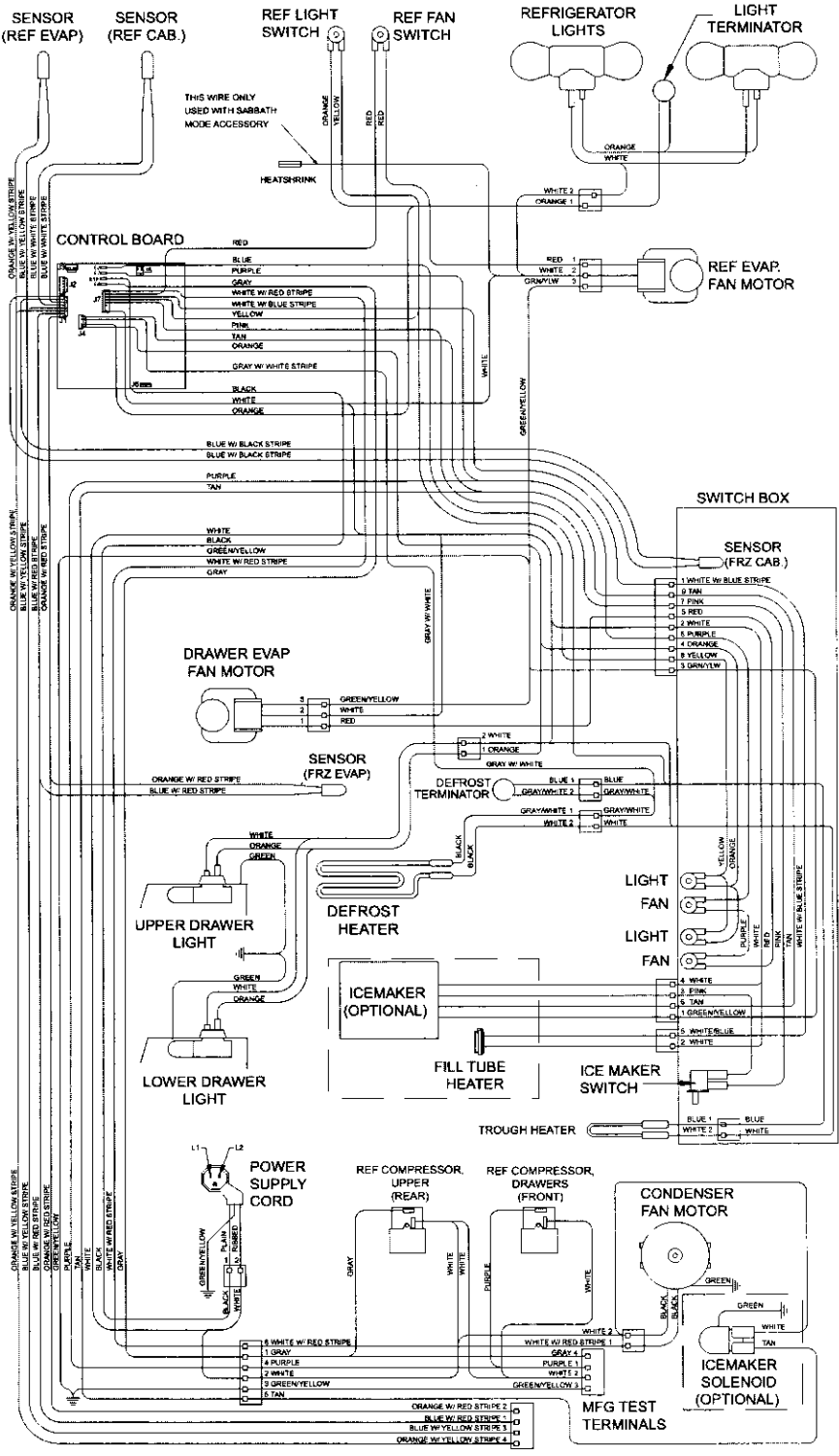


PART NUMBER 3758578 REV C

WIRING DIAGRAM MODEL: 736TC/I-3

⚠ WARNING

- This wiring information is provided for use by qualified service personnel only.
- Disconnect appliance from electrical supply before beginning service.
- Be sure all grounding devices are connected when service is complete.
- Failure to observe the above warnings may result in severe electrical shock.



CONTROL BOARD SUMMARY

CIRCUIT	DESCRIPTION	FUNCTION	COLOR
E2	120 VOLT CIRCUITS	POWERS DEFROST HEATER	BLUE
E7	DEF HTR	POWERS FRZ COMPRESSOR (DRAWERS)	PURPLE
E10	FCOMP	POWER INTO BOARD	BLACK
E6	L1	POWERS REF COMPRESSOR (DOOR)	GRAY
J7-1	C FAN	POWERS CONDENSER FAN	WHITE/RED
J7-2	F FAN	POWERS FILL TUBE HEATER AND ACCESSORIES	WHITE/BLUE
J7-3	FAN SW	POWERS LIGHTS	YELLOW
J7-4	UTES	POWERS ICE MAKER	PINK
J7-5	ICE	ICE MAKER	ORANGE/RED
J7-6	NOT USED	NOT USED (NO PIN)	WHITE
J7-7	NOT USED	NOT USED (NO PIN)	ORANGE/BLACK
J7-8	NEU	NEUTRAL INTO BOARD	ORANGE
J7-9	DR	DRUMMER LIGHTS SENSE	GRAY/WHITE
J4-1	R DR	SENSES IF DOOR OPEN	TAN
J4-2	R DR	SENSES WATER VALVE ACTIVATION	ORANGE/RED
J4-3	R DR	SENSES FRZ EVAP TEMP (DRAWERS)	ORANGE/RED
J4-4	R DR	SENSES FRZ EVAP TEMP (DRAWERS)	ORANGE/RED
J4-5	R DR	SENSES FRZ EVAP TEMP (DRAWERS)	ORANGE/RED
J4-6	R DR	SENSES REF COMPARTMENT	BLUE/YELLOW
J4-7	R DR	SENSES REF COMPARTMENT	BLUE/WHITE
J4-8	R DR	SENSES REF CABINET TEMP	BLUE/WHITE
J4-9	R DR	SENSES FRZ CABINET TEMP (DRAWERS)	BLUE/BLACK
J4-10	R DR	SENSES FRZ CABINET TEMP (DRAWERS)	BLUE/BLACK

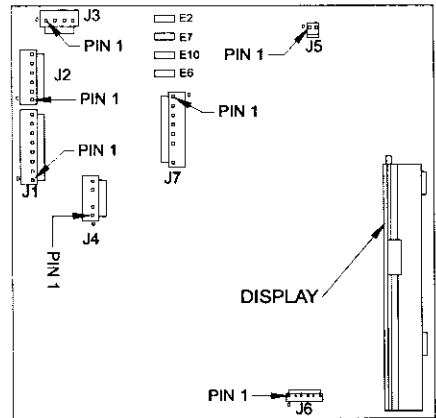
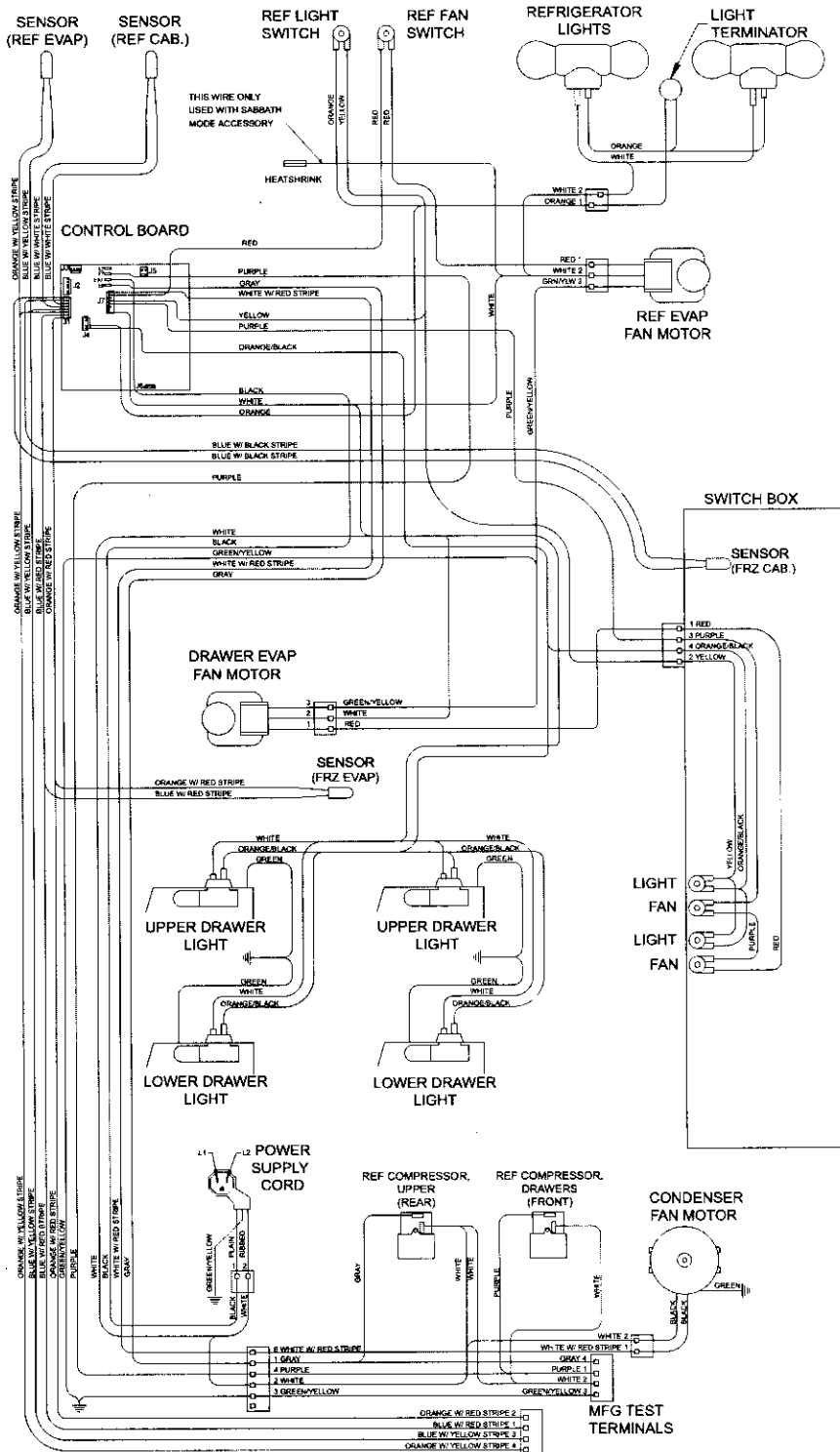


PART NUMBER 7000922 REV A

WIRING DIAGRAM MODEL: 736TR-3

⚠ WARNING

- This wiring information is provided for use by qualified service personnel only.
- Disconnect appliance from electrical supply before beginning service.
- Be sure all grounding devices are connected when service is complete.
- Failure to observe the above warnings may result in severe electrical shock.



CONTROL BOARD DETAIL

CONTROL BOARD SUMMARY	
CIRCUIT	FUNCTION
120 VOLT CIRCUITS	
E2	NOT USED
E7	POWERS REF COMPRESSOR (DRAWERS)
E8	POWERS INTO BOARD
F6	POWERS REF COMPRESSOR (DOOR)
J7-1	POWERS CONDENSER FAN
J7-2	POWERS REF FAN SW
J7-3	FAN SW
J7-4	NOT USED
J7-5	POWERS LIGHTS
J7-6	POWERS DRAWER FAN SW
J7-7	NOT USED
J7-8	NOT USED
J7-9	NOT USED
J7-10	NOT USED
J7-11	NOT USED
J7-12	NOT USED
J7-13	NOT USED
J7-14	NOT USED
J7-15	NOT USED
J7-16	NOT USED
J7-17	NOT USED
J7-18	NOT USED
J7-19	NOT USED
J7-20	NOT USED
J7-21	NOT USED
J7-22	NOT USED
J7-23	NOT USED
J7-24	NOT USED
J7-25	NOT USED
J7-26	NOT USED
J7-27	NOT USED
J7-28	NOT USED
J7-29	NOT USED
J7-30	NOT USED
J7-31	NOT USED
J7-32	NOT USED
J7-33	NOT USED
J7-34	NOT USED
J7-35	NOT USED
J7-36	NOT USED
J7-37	NOT USED
J7-38	NOT USED
J7-39	NOT USED
J7-40	NOT USED
J7-41	NOT USED
J7-42	NOT USED
J7-43	NOT USED
J7-44	NOT USED
J7-45	NOT USED
J7-46	NOT USED
J7-47	NOT USED
J7-48	NOT USED
J7-49	NOT USED
J7-50	NOT USED
J7-51	NOT USED
J7-52	NOT USED
J7-53	NOT USED
J7-54	NOT USED
J7-55	NOT USED
J7-56	NOT USED
J7-57	NOT USED
J7-58	NOT USED
J7-59	NOT USED
J7-60	NOT USED
J7-61	NOT USED
J7-62	NOT USED
J7-63	NOT USED
J7-64	NOT USED
J7-65	NOT USED
J7-66	NOT USED
J7-67	NOT USED
J7-68	NOT USED
J7-69	NOT USED
J7-70	NOT USED
J7-71	NOT USED
J7-72	NOT USED
J7-73	NOT USED
J7-74	NOT USED
J7-75	NOT USED
J7-76	NOT USED
J7-77	NOT USED
J7-78	NOT USED
J7-79	NOT USED
J7-80	NOT USED
J7-81	NOT USED
J7-82	NOT USED
J7-83	NOT USED
J7-84	NOT USED
J7-85	NOT USED
J7-86	NOT USED
J7-87	NOT USED
J7-88	NOT USED
J7-89	NOT USED
J7-90	NOT USED
J7-91	NOT USED
J7-92	NOT USED
J7-93	NOT USED
J7-94	NOT USED
J7-95	NOT USED
J7-96	NOT USED
J7-97	NOT USED
J7-98	NOT USED
J7-99	NOT USED
J7-100	NOT USED
J7-101	NOT USED
J7-102	NOT USED
J7-103	NOT USED
J7-104	NOT USED
J7-105	NOT USED
J7-106	NOT USED
J7-107	NOT USED
J7-108	NOT USED
J7-109	NOT USED
J7-110	NOT USED
J7-111	NOT USED
J7-112	NOT USED
J7-113	NOT USED
J7-114	NOT USED
J7-115	NOT USED
J7-116	NOT USED
J7-117	NOT USED
J7-118	NOT USED
J7-119	NOT USED
J7-120	NOT USED
J7-121	NOT USED
J7-122	NOT USED
J7-123	NOT USED
J7-124	NOT USED
J7-125	NOT USED
J7-126	NOT USED
J7-127	NOT USED
J7-128	NOT USED
J7-129	NOT USED
J7-130	NOT USED
J7-131	NOT USED
J7-132	NOT USED
J7-133	NOT USED
J7-134	NOT USED
J7-135	NOT USED
J7-136	NOT USED
J7-137	NOT USED
J7-138	NOT USED
J7-139	NOT USED
J7-140	NOT USED
J7-141	NOT USED
J7-142	NOT USED
J7-143	NOT USED
J7-144	NOT USED
J7-145	NOT USED
J7-146	NOT USED
J7-147	NOT USED
J7-148	NOT USED
J7-149	NOT USED
J7-150	NOT USED
J7-151	NOT USED
J7-152	NOT USED
J7-153	NOT USED
J7-154	NOT USED
J7-155	NOT USED
J7-156	NOT USED
J7-157	NOT USED
J7-158	NOT USED
J7-159	NOT USED
J7-160	NOT USED
J7-161	NOT USED
J7-162	NOT USED
J7-163	NOT USED
J7-164	NOT USED
J7-165	NOT USED
J7-166	NOT USED
J7-167	NOT USED
J7-168	NOT USED
J7-169	NOT USED
J7-170	NOT USED
J7-171	NOT USED
J7-172	NOT USED
J7-173	NOT USED
J7-174	NOT USED
J7-175	NOT USED
J7-176	NOT USED
J7-177	NOT USED
J7-178	NOT USED
J7-179	NOT USED
J7-180	NOT USED
J7-181	NOT USED
J7-182	NOT USED
J7-183	NOT USED
J7-184	NOT USED
J7-185	NOT USED
J7-186	NOT USED
J7-187	NOT USED
J7-188	NOT USED
J7-189	NOT USED
J7-190	NOT USED
J7-191	NOT USED
J7-192	NOT USED
J7-193	NOT USED
J7-194	NOT USED
J7-195	NOT USED
J7-196	NOT USED
J7-197	NOT USED
J7-198	NOT USED
J7-199	NOT USED
J7-200	NOT USED
J7-201	NOT USED
J7-202	NOT USED
J7-203	NOT USED
J7-204	NOT USED
J7-205	NOT USED
J7-206	NOT USED
J7-207	NOT USED
J7-208	NOT USED
J7-209	NOT USED
J7-210	NOT USED
J7-211	NOT USED
J7-212	NOT USED
J7-213	NOT USED
J7-214	NOT USED
J7-215	NOT USED
J7-216	NOT USED
J7-217	NOT USED
J7-218	NOT USED
J7-219	NOT USED
J7-220	NOT USED
J7-221	NOT USED
J7-222	NOT USED
J7-223	NOT USED
J7-224	NOT USED
J7-225	NOT USED
J7-226	NOT USED
J7-227	NOT USED
J7-228	NOT USED
J7-229	NOT USED
J7-230	NOT USED
J7-231	NOT USED
J7-232	NOT USED
J7-233	NOT USED
J7-234	NOT USED
J7-235	NOT USED
J7-236	NOT USED
J7-237	NOT USED
J7-238	NOT USED
J7-239	NOT USED
J7-240	NOT USED
J7-241	NOT USED
J7-242	NOT USED
J7-243	NOT USED
J7-244	NOT USED
J7-245	NOT USED
J7-246	NOT USED
J7-247	NOT USED
J7-248	NOT USED
J7-249	NOT USED
J7-250	NOT USED
J7-251	NOT USED
J7-252	NOT USED
J7-253	NOT USED
J7-254	NOT USED
J7-255	NOT USED
J7-256	NOT USED
J7-257	NOT USED
J7-258	NOT USED
J7-259	NOT USED
J7-260	NOT USED
J7-261	NOT USED
J7-262	NOT USED
J7-263	NOT USED
J7-264	NOT USED
J7-265	NOT USED
J7-266	NOT USED
J7-267	NOT USED
J7-268	NOT USED
J7-269	NOT USED
J7-270	NOT USED
J7-271	NOT USED
J7-272	NOT USED
J7-273	NOT USED
J7-274	NOT USED
J7-275	NOT USED
J7-276	NOT USED
J7-277	NOT USED
J7-278	NOT USED
J7-279	NOT USED
J7-280	NOT USED
J7-281	NOT USED
J7-282	NOT USED
J7-283	NOT USED
J7-284	NOT USED
J7-285	NOT USED
J7-286	NOT USED
J7-287	NOT USED
J7-288	NOT USED
J7-289	NOT USED
J7-290	NOT USED
J7-291	NOT USED
J7-292	NOT USED
J7-293	NOT USED
J7-294	NOT USED
J7-295	NOT USED
J7-296	NOT USED
J7-297	NOT USED
J7-298	NOT USED
J7-299	NOT USED
J7-300	NOT USED
J7-301	NOT USED
J7-302	NOT USED
J7-303	NOT USED
J7-304	NOT USED
J7-305	NOT USED
J7-306	NOT USED
J7-307	NOT USED
J7-308	NOT USED
J7-309	NOT USED
J7-310	NOT USED
J7-311	NOT USED
J7-312	NOT USED
J7-313	NOT USED
J7-314	NOT USED
J7-315	NOT USED
J7-316	NOT USED
J7-317	NOT USED
J7-318	NOT USED
J7-319	NOT USED
J7-320	NOT USED
J7-321	NOT USED
J7-322	NOT USED
J7-323	NOT USED
J7-324	NOT USED
J7-325	NOT USED
J7-326	NOT USED
J7-327	NOT USED
J7-328	NOT USED
J7-329	NOT USED
J7-330	NOT USED
J7-331	NOT USED
J7-332	NOT USED
J7-333	NOT USED
J7-334	NOT USED
J7-335	NOT USED
J7-336	NOT USED
J7-337	NOT USED
J7-338	NOT USED
J7-339	NOT USED
J7-340	NOT USED
J7-341	NOT USED
J7-342	NOT USED
J7-343	NOT USED
J7-344	NOT USED
J7-345	NOT USED
J7-346	NOT USED
J7-347	NOT USED
J7-348	NOT USED
J7-349	NOT USED
J7-350	NOT USED
J7-351	NOT USED
J7-352	NOT USED
J7-353	NOT USED
J7-354	NOT USED
J7-355	NOT USED
J7-356	NOT USED
J7-357	NOT USED
J7-358	NOT USED
J7-359	NOT USED
J7-360	NOT USED
J7-361	NOT USED
J7-362	NOT USED
J7-363	NOT USED
J7-364	NOT USED
J7-365	NOT USED
J7-366	NOT USED
J7-367	NOT USED
J7-368	NOT USED
J7-369	NOT USED
J7-370	NOT USED
J7-371	NOT USED
J7-372	NOT USED
J7-373	NOT USED
J7-374	NOT USED
J7-375	NOT USED
J7-376	NOT USED
J7-377	NOT USED
J7-378	NOT USED
J7-379	NOT USED
J7-380	NOT USED
J7-381	NOT USED
J7-382	NOT USED
J7-383	NOT USED
J7-384	NOT USED
J7-385	NOT USED
J7-386	NOT USED
J7-387	NOT USED
J7-388	NOT USED
J7-389	NOT USED
J7-390	NOT USED
J7-391	NOT USED
J7-392	NOT USED
J7-393	NOT USED
J7-394	NOT USED
J7-395	NOT USED
J7-396	NOT USED
J7-397	NOT USED
J7-398	NOT USED
J7-399	NOT USED
J7-400	NOT USED
J7-401	NOT USED
J7-402	NOT USED
J7-403	NOT USED
J7-404	NOT USED
J7-405	NOT USED
J7-406	NOT USED
J7-407	NOT USED
J7-408	NOT USED
J7-409	NOT USED
J7-410	NOT USED
J7-411	NOT USED
J7-412	NOT USED
J7-413	NOT USED
J7-414	NOT USED
J7-415	NOT USED
J7-416	NOT USED
J7-417	NOT USED
J7-418	NOT USED
J7-419	NOT USED
J7-420	NOT USED
J7-421	NOT USED
J7-422	NOT USED
J7-423	NOT USED
J7-424	NOT USED
J7-425	NOT USED
J7-426	NOT USED
J7-427	NOT USED
J7-428	NOT USED
J7-429	NOT USED
J7-430	NOT USED
J7-431	NOT USED
J7-432	NOT USED
J7-433	NOT USED
J7-434	NOT USED
J7-435	NOT USED
J7-436	NOT USED
J7-437	NOT USED
J7-438	NOT USED
J7-439	NOT USED
J7-440	NOT USED
J7-441	NOT USED
J7-442	NOT USED
J7-443	NOT USED
J7-444	NOT USED
J7-445	NOT USED
J7-446	NOT USED
J7-4	



PART NUMBER 7000922 REV A

WIRING SCHEMATIC MODEL: 736TR-3

WARNING

- This wiring information is provided for use by qualified service personnel only.
- Disconnect appliance from electrical supply before beginning service.
- Be sure all grounding devices are connected when service is complete.
- Failure to observe the above warnings may result in severe electrical shock.

