



# **SECTION 10**

# **WIRING DIAGRAMS AND SCHEMATICS**

# Wiring Diagrams / Schematics **Built-In (600-3) Series**



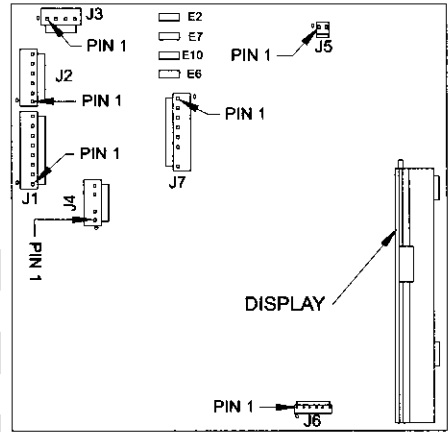
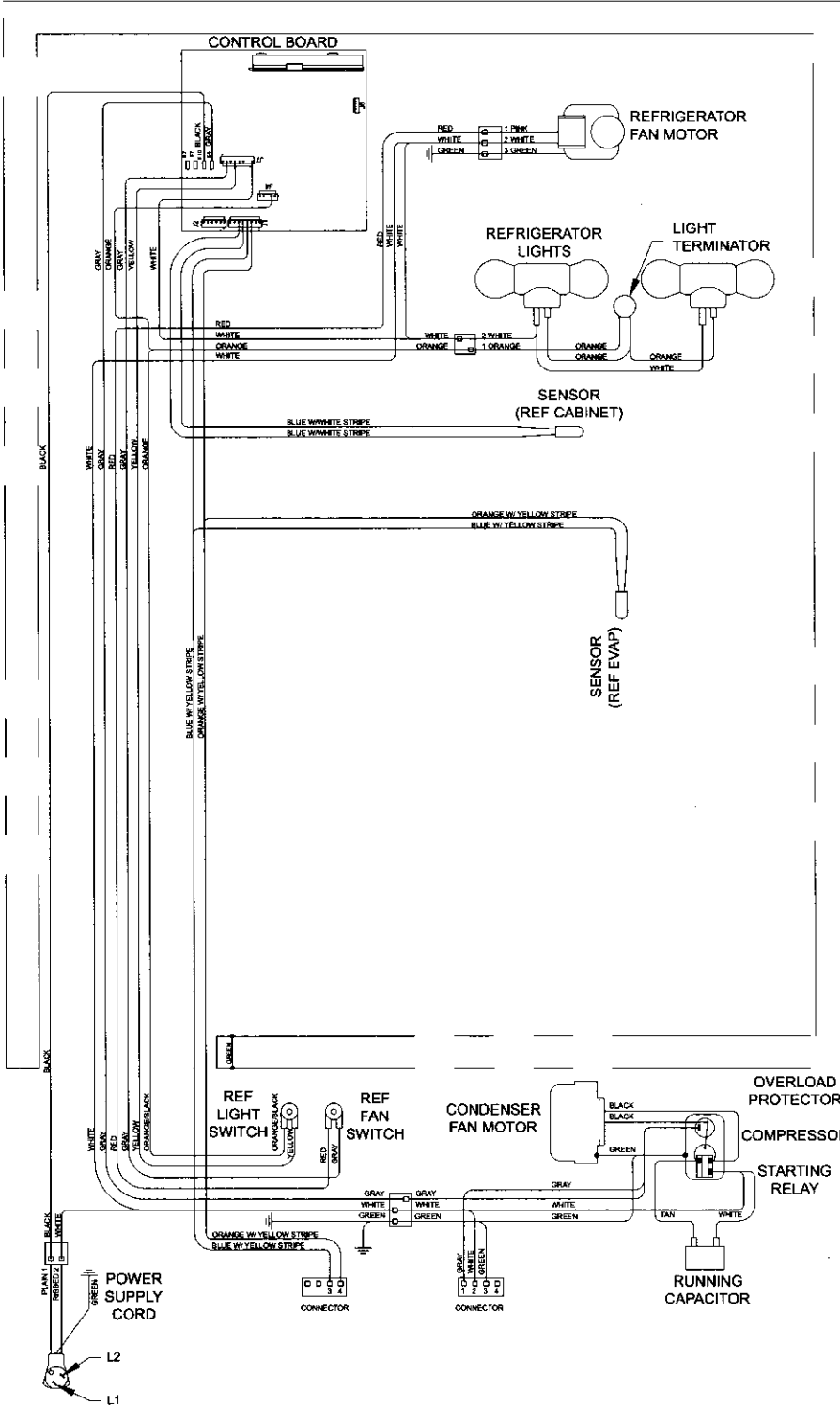
P/N 7001945 REV A

## WIRING DIAGRAM

### MODEL: 601R-3

**WARNING**

-This wiring information is provided for use by qualified service personnel only.  
 -Disconnect appliance from electrical supply before beginning service.  
 -Be sure all grounding devices are connected when service is complete.  
 -Failure to observe the above warnings may result in severe electrical shock.



**CONTROL BOARD DETAIL**

| CIRCUIT | DESCRIPTION                     | FUNCTION                                | COLOR      |
|---------|---------------------------------|---|------------|
| E2      | DEF HTR                         | NOT USED                                |            |
| E7      | FCOMP                           | NOT USED                                |            |
| E10     | L1                              | POWER INTO BOARD                        | BLACK      |
| E6      | RCOMP                           | POWERS REF COMPRESSOR AND CONDENSER FAN | GRAY       |
| J7-1    | C FAN                           | NOT USED                                | GRAY       |
| J7-2    | REF EVAP FAN                    | POWERS REF EVAP FAN                     | YELLOW     |
| J7-3    | LITES                           | POWERS LIGHTS                           |            |
| J7-5    | NOT USED                        |   |            |
| J7-6    | NOT USED (AND PIN)              |   |            |
| J7-6    | NEU                             | NEUTRAL INTO BOARD                      | WHITE      |
| J4-1    | NOT USED                        |   | ORANGE     |
| J4-2    | REF DOOR LIGHT SENSE            | SENSES IF REF DOOR OPEN                 |            |
| J4-3    | NOT USED (AND PIN)              |   |            |
| J4-4    | NOT USED                        |   |            |
| J4-5    | NOT USED                        |   |            |
| J1-1    | LOW VOLTAGE THERMISTOR CIRCUITS |   |            |
| J1-2    | NOT USED                        |   |            |
| J1-3    | SENSES REF EVAP TEMP            | SENSES REF EVAP TEMP                    | ORANGE/YLW |
| J1-4    | REF EVAP                        | SENSES REF EVAP TEMP                    | BLUE/YLW   |
| J1-5    | REF COMPARTMENT                 | SENSES REF CABINET TEMP                 | BLUE/WHITE |
| J1-6    | REF COMPARTMENT                 | SENSES REF CABINET TEMP                 | BLUE/WHITE |
| J1-7    | NOT USED                        |   |            |
| J1-8    | NOT USED                        |   |            |

P/N 7001945 REV A

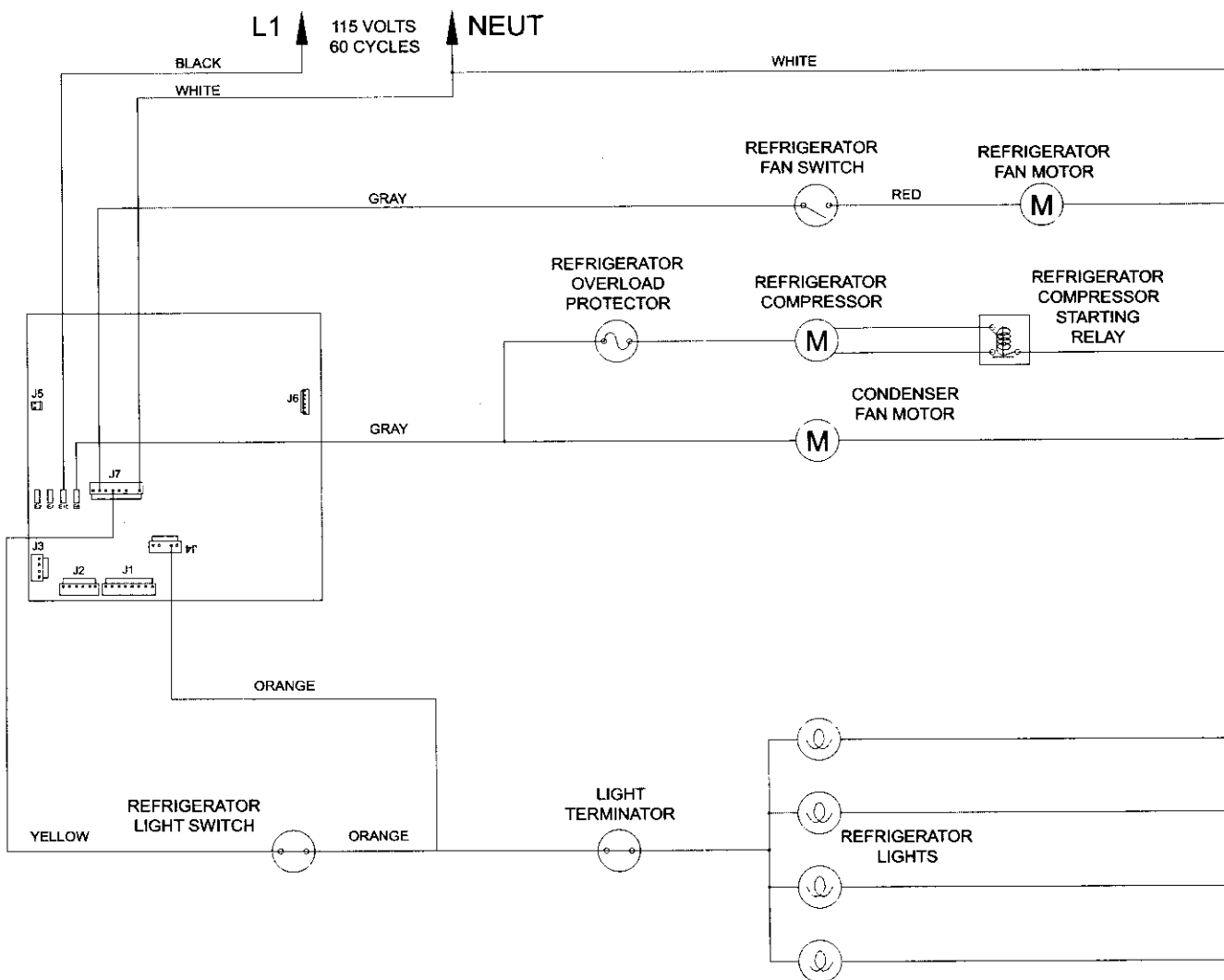
# WIRING SCHEMATIC

## MODEL: 601R-3

### WARNING

- This wiring information is provided for use by qualified service personnel only.
- Disconnect appliance from electrical supply before beginning service.
- Be sure all grounding devices are connected when service is complete.
- Failure to observe the above warnings may result in severe electrical shock.

HIGH VOLTAGE WIRING SCHEMATIC

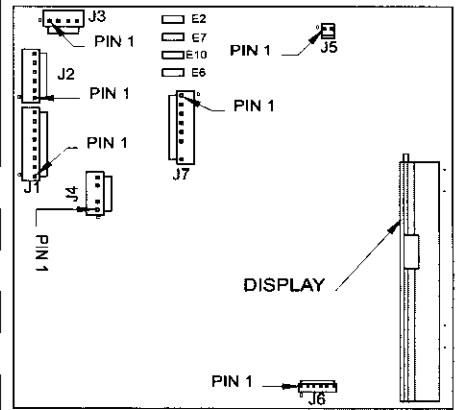
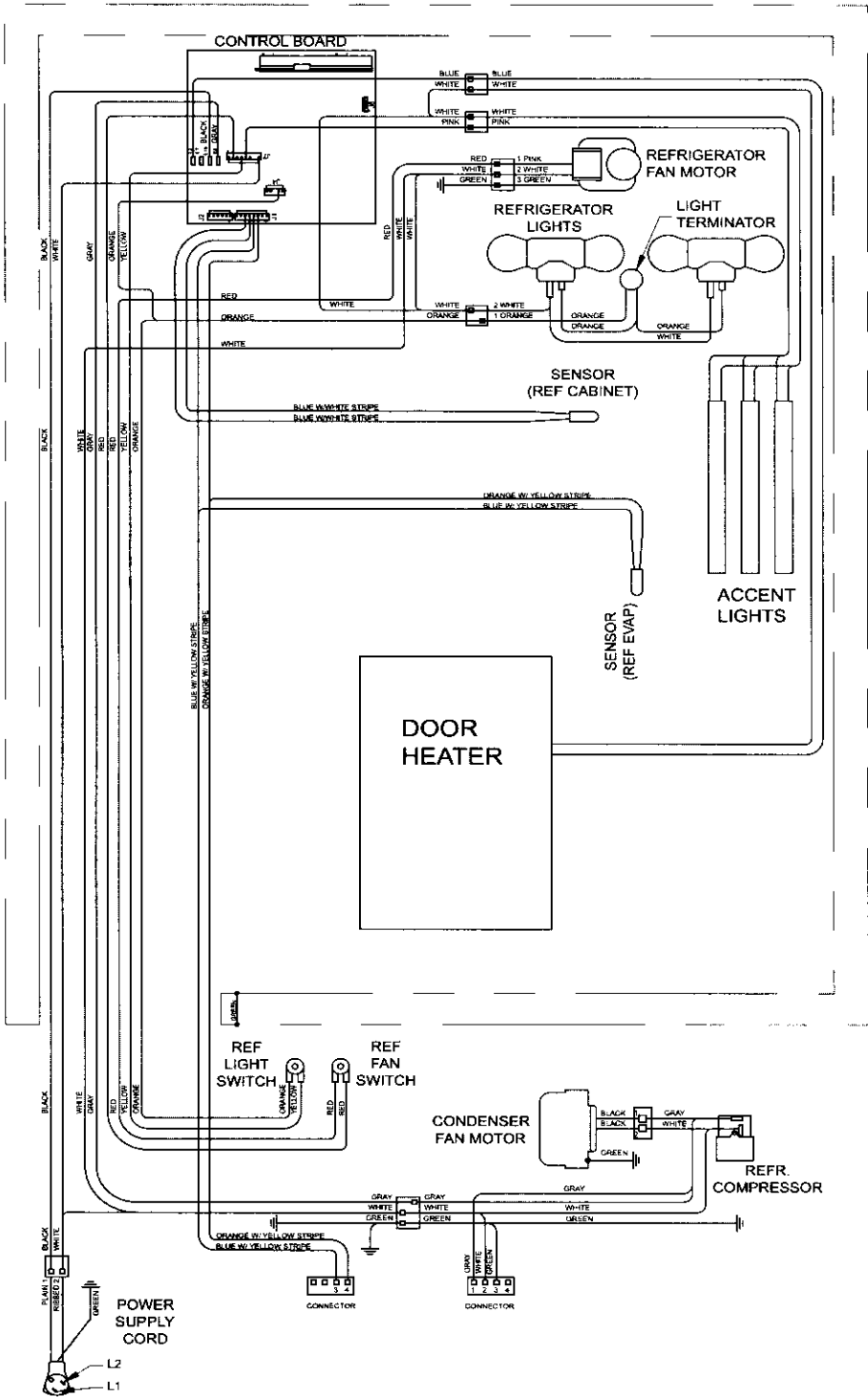


# WIRING DIAGRAM

## MODEL: 601RG-3

### WARNING

This wiring information is provided for use by qualified service personnel only.  
 -Disconnect appliance from electrical supply before beginning service.  
 -Be sure all grounding devices are connected when service is complete.  
 -Failure to observe the above warnings may result in severe electrical shock.



CONTROL BOARD DETAIL

### CONTROL BOARD SUMMARY

| CIRCUIT | DESCRIPTION       | FUNCTION                                | COLOR  |
|---------|-------------------|---|--------|
| E2      | 120 VOLT CIRCUITS | POWERS DOOR HEATER                      | BLUE   |
| E7      | DOOR HEATER       | POWERS DOOR HEATER                      | BLACK  |
| E0      | FOAMP             | POWER INTO BOARD                        | GRAY   |
| E5      | REF COMPRESSOR    | POWERS REF COMPRESSOR AND CONDENSER FAN | GRAY   |
| J1-1    | C FAN             | POWERS REF EVAP FAN                     | RED    |
| J1-2    | E FAN             | POWERS REF EVAP FAN                     | RED    |
| J1-3    | LIGHTS            | POWERS LIGHTS                           | YELLOW |
| J1-4    | ICE               | ACCENT LIGHTS                           | PINK   |
| J1-5    | ICE               | ACCENT LIGHTS                           | PINK   |
| J1-6    | ICE               | ACCENT LIGHTS                           | PINK   |
| J1-7    | ICE               | ACCENT LIGHTS                           | PINK   |
| J1-8    | ICE               | ACCENT LIGHTS                           | PINK   |
| J1-9    | ICE               | ACCENT LIGHTS                           | PINK   |
| J1-10   | ICE               | ACCENT LIGHTS                           | PINK   |
| J1-11   | ICE               | ACCENT LIGHTS                           | PINK   |
| J1-12   | ICE               | ACCENT LIGHTS                           | PINK   |
| J1-13   | ICE               | ACCENT LIGHTS                           | PINK   |
| J1-14   | ICE               | ACCENT LIGHTS                           | PINK   |
| J1-15   | ICE               | ACCENT LIGHTS                           | PINK   |
| J1-16   | ICE               | ACCENT LIGHTS                           | PINK   |
| J1-17   | ICE               | ACCENT LIGHTS                           | PINK   |
| J1-18   | ICE               | ACCENT LIGHTS                           | PINK   |
| J1-19   | ICE               | ACCENT LIGHTS                           | PINK   |
| J1-20   | ICE               | ACCENT LIGHTS                           | PINK   |
| J1-21   | ICE               | ACCENT LIGHTS                           | PINK   |
| J1-22   | ICE               | ACCENT LIGHTS                           | PINK   |
| J1-23   | ICE               | ACCENT LIGHTS                           | PINK   |
| J1-24   | ICE               | ACCENT LIGHTS                           | PINK   |
| J1-25   | ICE               | ACCENT LIGHTS                           | PINK   |
| J1-26   | ICE               | ACCENT LIGHTS                           | PINK   |
| J1-27   | ICE               | ACCENT LIGHTS                           | PINK   |
| J1-28   | ICE               | ACCENT LIGHTS                           | PINK   |
| J1-29   | ICE               | ACCENT LIGHTS                           | PINK   |
| J1-30   | ICE               | ACCENT LIGHTS                           | PINK   |
| J1-31   | ICE               | ACCENT LIGHTS                           | PINK   |
| J1-32   | ICE               | ACCENT LIGHTS                           | PINK   |
| J1-33   | ICE               | ACCENT LIGHTS                           | PINK   |
| J1-34   | ICE               | ACCENT LIGHTS                           | PINK   |
| J1-35   | ICE               | ACCENT LIGHTS                           | PINK   |
| J1-36   | ICE               | ACCENT LIGHTS                           | PINK   |
| J1-37   | ICE               | ACCENT LIGHTS                           | PINK   |
| J1-38   | ICE               | ACCENT LIGHTS                           | PINK   |
| J1-39   | ICE               | ACCENT LIGHTS                           | PINK   |
| J1-40   | ICE               | ACCENT LIGHTS                           | PINK   |
| J1-41   | ICE               | ACCENT LIGHTS                           | PINK   |
| J1-42   | ICE               | ACCENT LIGHTS                           | PINK   |
| J1-43   | ICE               | ACCENT LIGHTS                           | PINK   |
| J1-44   | ICE               | ACCENT LIGHTS                           | PINK   |
| J1-45   | ICE               | ACCENT LIGHTS                           | PINK   |
| J1-46   | ICE               | ACCENT LIGHTS                           | PINK   |
| J1-47   | ICE               | ACCENT LIGHTS                           | PINK   |
| J1-48   | ICE               | ACCENT LIGHTS                           | PINK   |
| J1-49   | ICE               | ACCENT LIGHTS                           | PINK   |
| J1-50   | ICE               | ACCENT LIGHTS                           | PINK   |
| J1-51   | ICE               | ACCENT LIGHTS                           | PINK   |
| J1-52   | ICE               | ACCENT LIGHTS                           | PINK   |
| J1-53   | ICE               | ACCENT LIGHTS                           | PINK   |
| J1-54   | ICE               | ACCENT LIGHTS                           | PINK   |
| J1-55   | ICE               | ACCENT LIGHTS                           | PINK   |
| J1-56   | ICE               | ACCENT LIGHTS                           | PINK   |
| J1-57   | ICE               | ACCENT LIGHTS                           | PINK   |
| J1-58   | ICE               | ACCENT LIGHTS                           | PINK   |
| J1-59   | ICE               | ACCENT LIGHTS                           | PINK   |
| J1-60   | ICE               | ACCENT LIGHTS                           | PINK   |
| J1-61   | ICE               | ACCENT LIGHTS                           | PINK   |
| J1-62   | ICE               | ACCENT LIGHTS                           | PINK   |
| J1-63   | ICE               | ACCENT LIGHTS                           | PINK   |
| J1-64   | ICE               | ACCENT LIGHTS                           | PINK   |
| J1-65   | ICE               | ACCENT LIGHTS                           | PINK   |
| J1-66   | ICE               | ACCENT LIGHTS                           | PINK   |
| J1-67   | ICE               | ACCENT LIGHTS                           | PINK   |
| J1-68   | ICE               | ACCENT LIGHTS                           | PINK   |
| J1-69   | ICE               | ACCENT LIGHTS                           | PINK   |
| J1-70   | ICE               | ACCENT LIGHTS                           | PINK   |
| J1-71   | ICE               | ACCENT LIGHTS                           | PINK   |
| J1-72   | ICE               | ACCENT LIGHTS                           | PINK   |
| J1-73   | ICE               | ACCENT LIGHTS                           | PINK   |
| J1-74   | ICE               | ACCENT LIGHTS                           | PINK   |
| J1-75   | ICE               | ACCENT LIGHTS                           | PINK   |
| J1-76   | ICE               | ACCENT LIGHTS                           | PINK   |
| J1-77   | ICE               | ACCENT LIGHTS                           | PINK   |
| J1-78   | ICE               | ACCENT LIGHTS                           | PINK   |
| J1-79   | ICE               | ACCENT LIGHTS                           | PINK   |
| J1-80   | ICE               | ACCENT LIGHTS                           | PINK   |
| J1-81   | ICE               | ACCENT LIGHTS                           | PINK   |
| J1-82   | ICE               | ACCENT LIGHTS                           | PINK   |
| J1-83   | ICE               | ACCENT LIGHTS                           | PINK   |
| J1-84   | ICE               | ACCENT LIGHTS                           | PINK   |
| J1-85   | ICE               | ACCENT LIGHTS                           | PINK   |
| J1-86   | ICE               | ACCENT LIGHTS                           | PINK   |
| J1-87   | ICE               | ACCENT LIGHTS                           | PINK   |
| J1-88   | ICE               | ACCENT LIGHTS                           | PINK   |
| J1-89   | ICE               | ACCENT LIGHTS                           | PINK   |
| J1-90   | ICE               | ACCENT LIGHTS                           | PINK   |
| J1-91   | ICE               | ACCENT LIGHTS                           | PINK   |
| J1-92   | ICE               | ACCENT LIGHTS                           | PINK   |
| J1-93   | ICE               | ACCENT LIGHTS                           | PINK   |
| J1-94   | ICE               | ACCENT LIGHTS                           | PINK   |
| J1-95   | ICE               | ACCENT LIGHTS                           | PINK   |
| J1-96   | ICE               | ACCENT LIGHTS                           | PINK   |
| J1-97   | ICE               | ACCENT LIGHTS                           | PINK   |
| J1-98   | ICE               | ACCENT LIGHTS                           | PINK   |
| J1-99   | ICE               | ACCENT LIGHTS                           | PINK   |
| J1-100  | ICE               | ACCENT LIGHTS                           | PINK   |

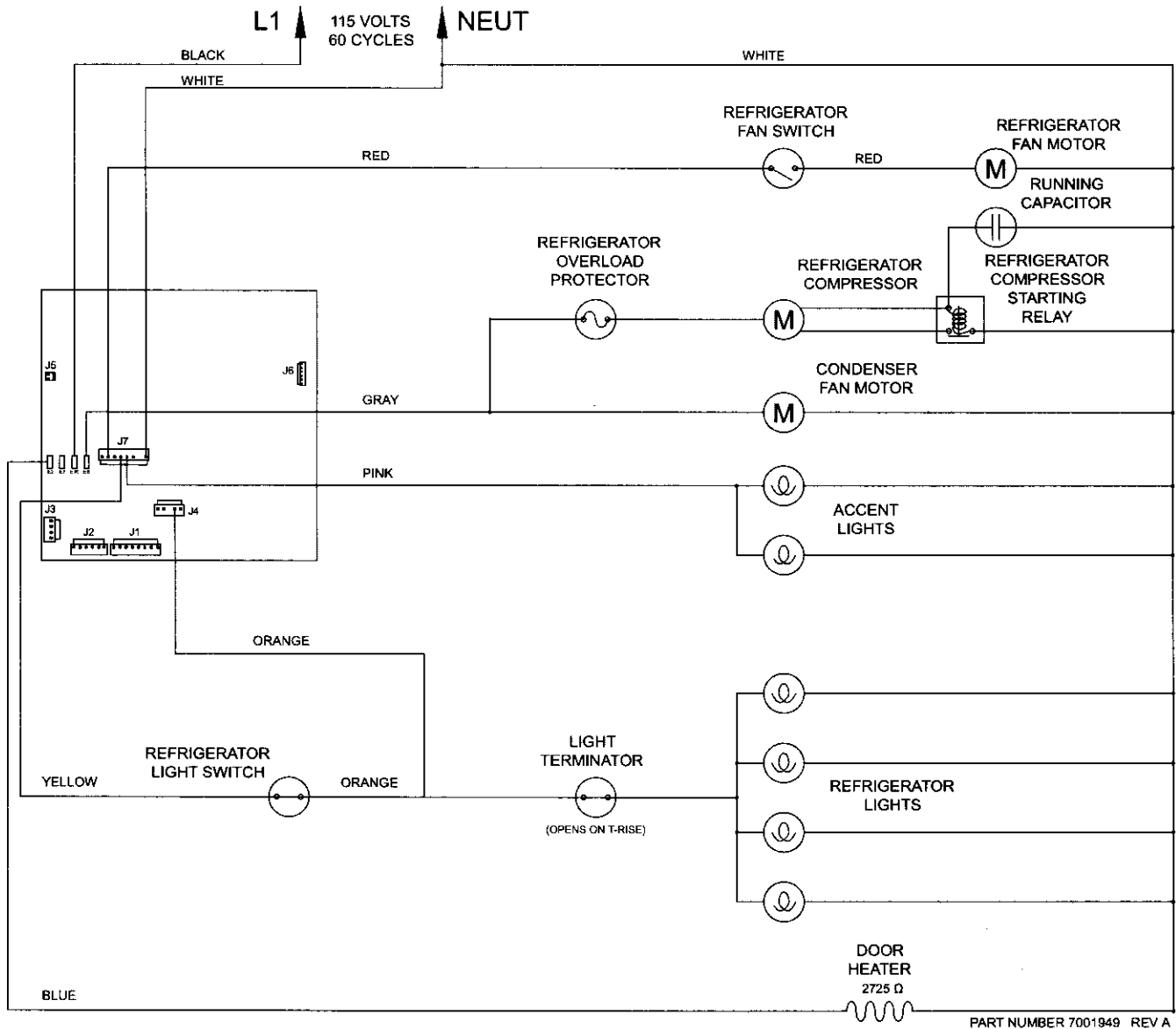
PART NUMBER 7001949 REV A

## WIRING SCHEMATIC MODEL: 601RG-3

### ⚠ WARNING

-This wiring information is provided for use by qualified service personnel only.  
 -Disconnect appliance from electrical supply before beginning service.  
 -Be sure all grounding devices are connected when service is complete.  
 -Failure to observe the above warnings may result in severe electrical shock.

HIGH VOLTAGE WIRING SCHEMATIC

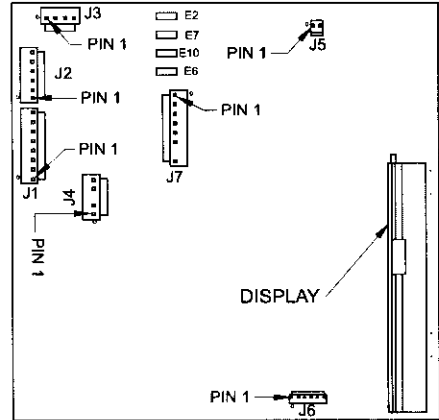
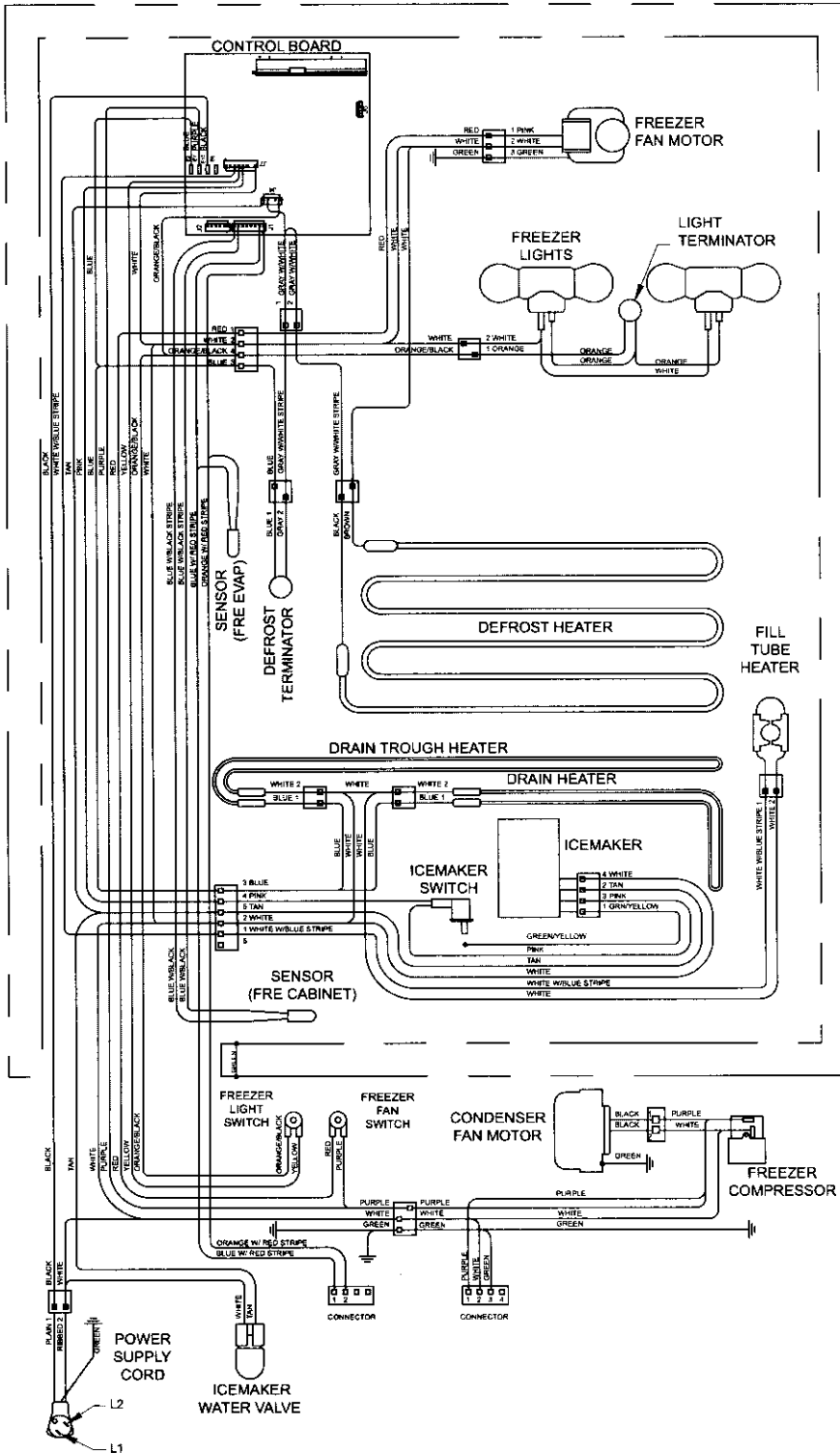


# WIRING DIAGRAM

## MODEL: 601F-3

### WARNING

-The wiring information is provided for use by qualified service personnel only.  
 -Disconnect appliance from electrical supply before beginning service.  
 -Be sure all grounding devices are connected when service is complete.  
 -Failure to observe the above warnings may result in severe electrical shock.



CONTROL BOARD DETAIL

### CONTROL BOARD SUMMARY

| CIRCUIT | DESCRIPTION    | FUNCTION                                | COLOR             |
|---------|----------------|---|-------------------|
| E2      | DEFROST HEATER | 120 VOLT CIRCUITS                       | BLUE              |
| E7      | FRZ COMPRESSOR | POWERS DEFROST CIRCUIT                  | PURPLE            |
| E10     | POWER IN       | POWERS FRZ COMPRESSOR AND CONDENSER FAN | BLACK             |
| E6      | NOT USED       | POWER INTO BOARD                        |                   |
| J7-1    | NOT USED       | POWERS FILL TUBE HEATER AND ACCESSORIES | WHITE/BLUE STRIPE |
| J7-2    | NOT USED       | POWERS LIGHTS                           | WHITE/BLUE STRIPE |
| J7-3    | NOT USED       | POWERS ICE MAKER                        | YELLOW            |
| J7-4    | NOT USED       | POWERS ICE MAKER                        | PINK              |
| J7-5    | NOT USED       | POWERS ICE MAKER                        | ORANGE/RED        |
| J7-6    | NOT USED       | POWERS ICE MAKER                        | BLU/RED           |
| J7-7    | NOT USED       | POWERS ICE MAKER                        | BLU/RED           |
| J7-8    | NOT USED       | POWERS ICE MAKER                        | BLU/RED           |
| J7-9    | NOT USED       | POWERS ICE MAKER                        | BLU/RED           |
| J7-10   | NOT USED       | POWERS ICE MAKER                        | BLU/RED           |
| J7-11   | NOT USED       | POWERS ICE MAKER                        | BLU/RED           |
| J7-12   | NOT USED       | POWERS ICE MAKER                        | BLU/RED           |
| J7-13   | NOT USED       | POWERS ICE MAKER                        | BLU/RED           |
| J7-14   | NOT USED       | POWERS ICE MAKER                        | BLU/RED           |
| J7-15   | NOT USED       | POWERS ICE MAKER                        | BLU/RED           |
| J7-16   | NOT USED       | POWERS ICE MAKER                        | BLU/RED           |
| J7-17   | NOT USED       | POWERS ICE MAKER                        | BLU/RED           |
| J7-18   | NOT USED       | POWERS ICE MAKER                        | BLU/RED           |
| J7-19   | NOT USED       | POWERS ICE MAKER                        | BLU/RED           |
| J7-20   | NOT USED       | POWERS ICE MAKER                        | BLU/RED           |
| J7-21   | NOT USED       | POWERS ICE MAKER                        | BLU/RED           |
| J7-22   | NOT USED       | POWERS ICE MAKER                        | BLU/RED           |
| J7-23   | NOT USED       | POWERS ICE MAKER                        | BLU/RED           |
| J7-24   | NOT USED       | POWERS ICE MAKER                        | BLU/RED           |
| J7-25   | NOT USED       | POWERS ICE MAKER                        | BLU/RED           |
| J7-26   | NOT USED       | POWERS ICE MAKER                        | BLU/RED           |
| J7-27   | NOT USED       | POWERS ICE MAKER                        | BLU/RED           |
| J7-28   | NOT USED       | POWERS ICE MAKER                        | BLU/RED           |
| J7-29   | NOT USED       | POWERS ICE MAKER                        | BLU/RED           |
| J7-30   | NOT USED       | POWERS ICE MAKER                        | BLU/RED           |
| J7-31   | NOT USED       | POWERS ICE MAKER                        | BLU/RED           |
| J7-32   | NOT USED       | POWERS ICE MAKER                        | BLU/RED           |
| J7-33   | NOT USED       | POWERS ICE MAKER                        | BLU/RED           |
| J7-34   | NOT USED       | POWERS ICE MAKER                        | BLU/RED           |
| J7-35   | NOT USED       | POWERS ICE MAKER                        | BLU/RED           |
| J7-36   | NOT USED       | POWERS ICE MAKER                        | BLU/RED           |
| J7-37   | NOT USED       | POWERS ICE MAKER                        | BLU/RED           |
| J7-38   | NOT USED       | POWERS ICE MAKER                        | BLU/RED           |
| J7-39   | NOT USED       | POWERS ICE MAKER                        | BLU/RED           |
| J7-40   | NOT USED       | POWERS ICE MAKER                        | BLU/RED           |
| J7-41   | NOT USED       | POWERS ICE MAKER                        | BLU/RED           |
| J7-42   | NOT USED       | POWERS ICE MAKER                        | BLU/RED           |
| J7-43   | NOT USED       | POWERS ICE MAKER                        | BLU/RED           |
| J7-44   | NOT USED       | POWERS ICE MAKER                        | BLU/RED           |
| J7-45   | NOT USED       | POWERS ICE MAKER                        | BLU/RED           |
| J7-46   | NOT USED       | POWERS ICE MAKER                        | BLU/RED           |
| J7-47   | NOT USED       | POWERS ICE MAKER                        | BLU/RED           |
| J7-48   | NOT USED       | POWERS ICE MAKER                        | BLU/RED           |
| J7-49   | NOT USED       | POWERS ICE MAKER                        | BLU/RED           |
| J7-50   | NOT USED       | POWERS ICE MAKER                        | BLU/RED           |

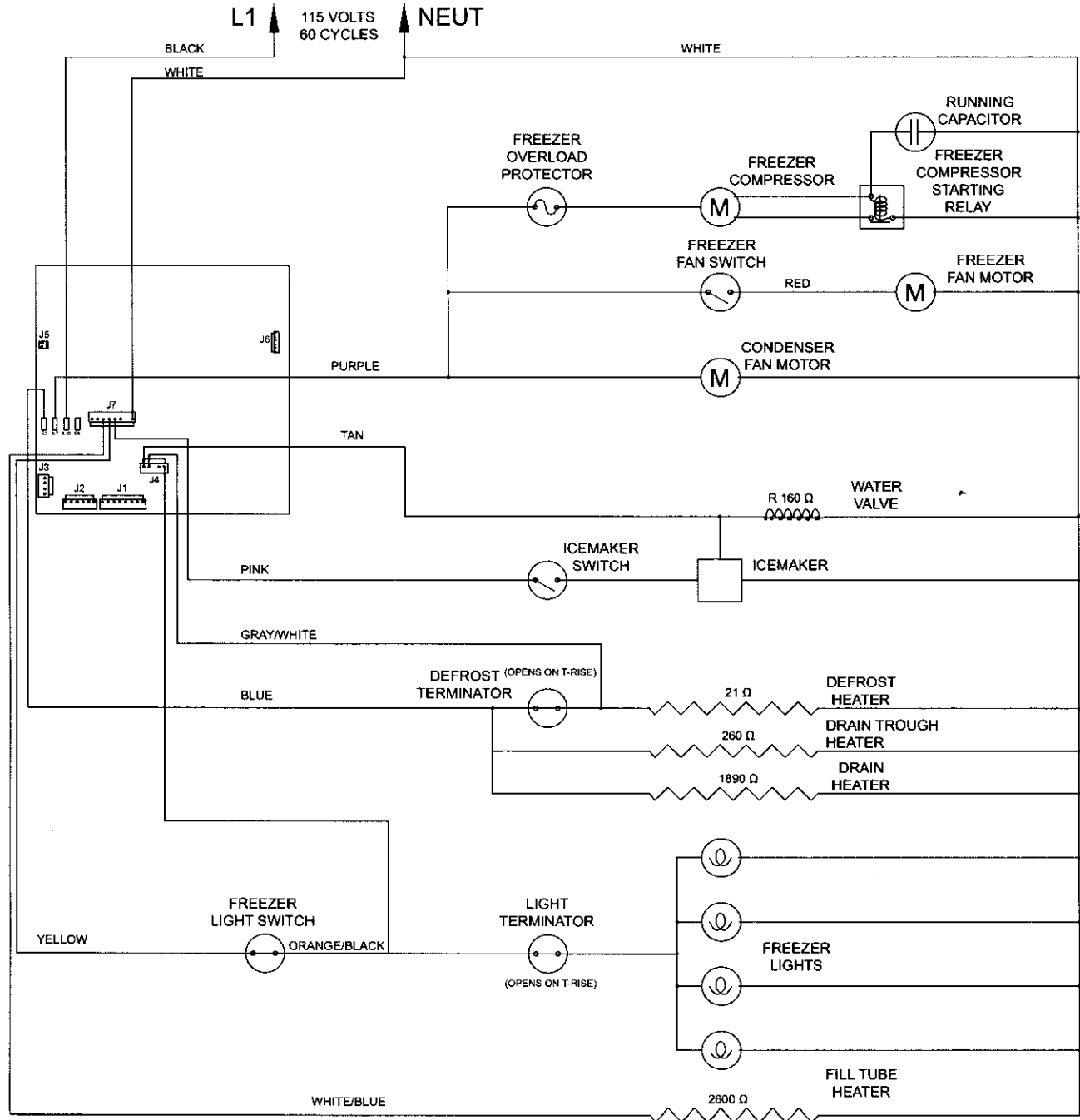
# WIRING SCHEMATIC

## MODEL: 601F-3

### ⚠ WARNING

-This wiring information is provided for use by qualified service personnel only.  
 -Disconnect appliance from electrical supply before beginning service.  
 -Be sure all grounding devices are connected when service is complete.  
 -Failure to observe the above warnings may result in severe electrical shock.

HIGH VOLTAGE WIRING SCHEMATIC

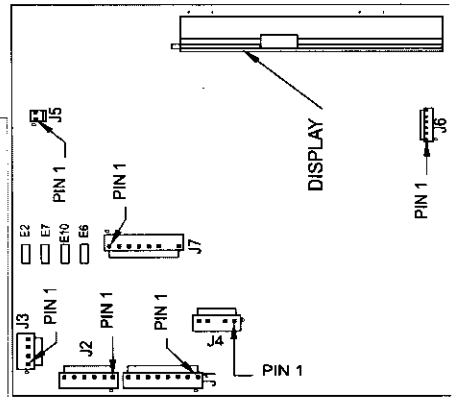
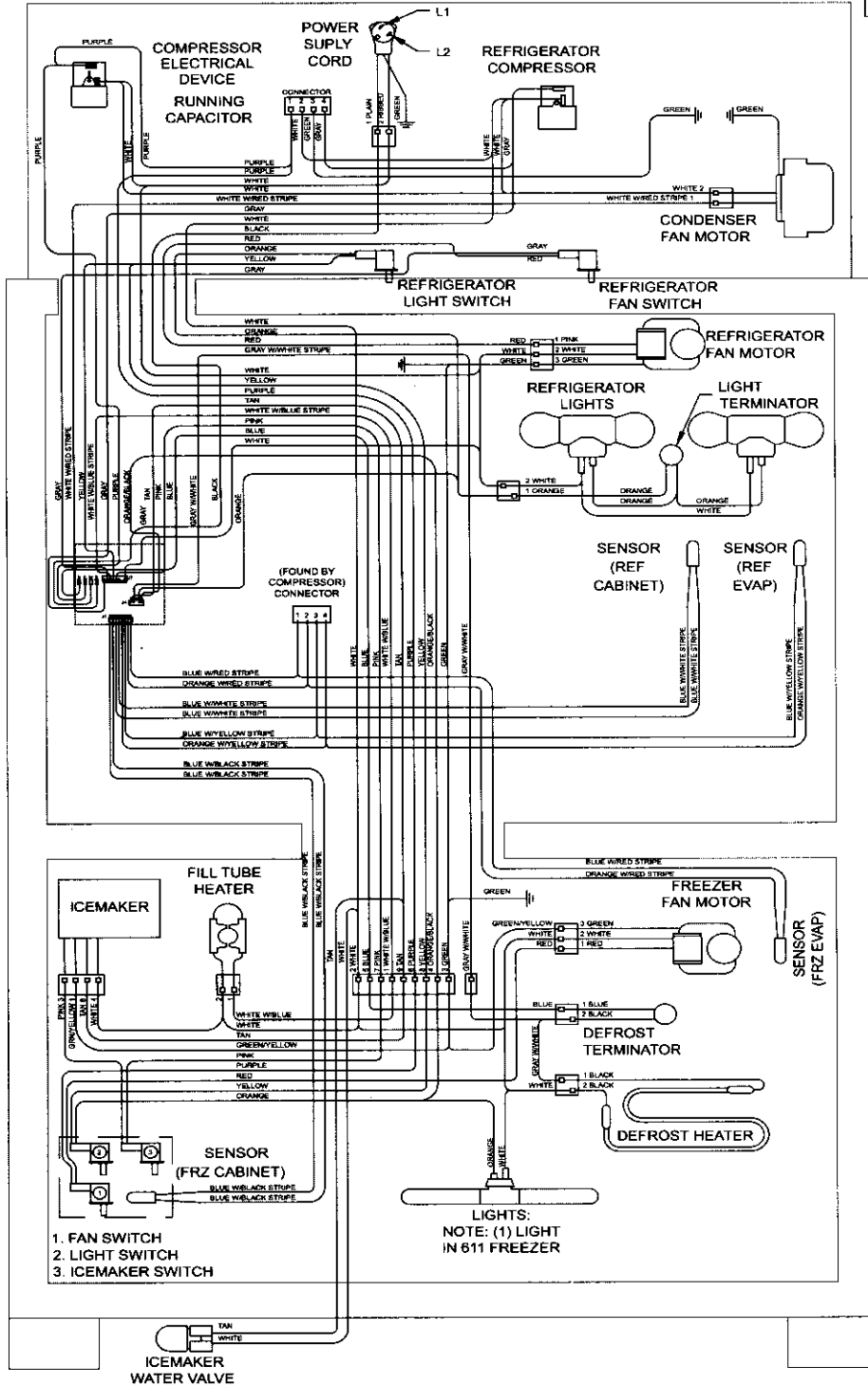


PART NUMBER 7002529 REV A

## WIRING DIAGRAM MODELS: 611-3 & 650-3

### ⚠ WARNING

- This wiring information is provided for use by qualified service personnel only.
- Disconnect appliance from electrical supply before beginning service.
- Be sure all grounding devices are connected when service is complete.
- Failure to observe the above warnings may result in severe electrical shock.



| CIRCUIT | DESCRIPTION                     | FUNCTION                               | COLOR         |
|---------|---------------------------------|--|---------------|
| E6      | 120 VOLT CIRCUITS               | POWER DISCONNECT CIRCUIT               | BLUE          |
| E7      | REF COMP                        | POWER REF COMPRESSOR                   | PURPLE        |
| E8      | REF COMP                        | POWER INTO BOARD                       | BLACK         |
| E9      | REF COMP                        | POWER REF COMPRESSOR                   | WHITE         |
| J1      | REF FAN                         | POWER REFRIGERATOR FAN                 | WHITE/RED     |
| J2      | REF FAN                         | POWER REFRIGERATOR FAN                 | GRAY          |
| J3      | ICE MANGER ACC (FILL TUBE)      | POWER FILL TUBE HEATER AND ACCESSORIES | WHITE/BLUE    |
| J4      | LIGHTS                          | POWER LIGHTS                           | YELLOW        |
| J5      | NOT USED                        | POWER ICE MANGER                       | PINK          |
| J6      | NOT USED                        | POWER ICE MANGER                       | PINK          |
| J7      | NEUTRAL                         | NEUTRAL                                | WHITE         |
| J8      | REF DOOR LIGHT SENSE            | SENSES IF REF DOOR OPEN                | BROWN         |
| J9      | REF DOOR LIGHT SENSE            | SENSES IF REF DOOR OPEN                | ORANGE/BLACK  |
| J10     | NOT USED                        | NOT USED                               | GREEN/WHITE   |
| J11     | ICE MANGER VALVE SENSE          | SENSES WHEN VALVE ACTUATOR             | TAN           |
| J12     | LOW VOLTAGE THERMISTOR CIRCUITS | SENSES PRE-EVAP TEMP                   | ORANGE/RED    |
| J13     | REF EVAP                        | SENSES REF EVAP TEMP                   | ORANGE/YELLOW |
| J14     | REF EVAP                        | SENSES REF EVAP TEMP                   | BLUE/YELLOW   |
| J15     | REF COMPARTMENT                 | SENSES REF COMPARTMENT                 | BLUE/WHITE    |
| J16     | REF COMPARTMENT                 | SENSES REF COMPARTMENT                 | BLUE/WHITE    |
| J17     | REF COMPARTMENT                 | SENSES REF COMPARTMENT                 | BLUE/BLACK    |
| J18     | REF COMPARTMENT                 | SENSES REF COMPARTMENT                 | BLUE/BLACK    |

P/N 7001676 REV B

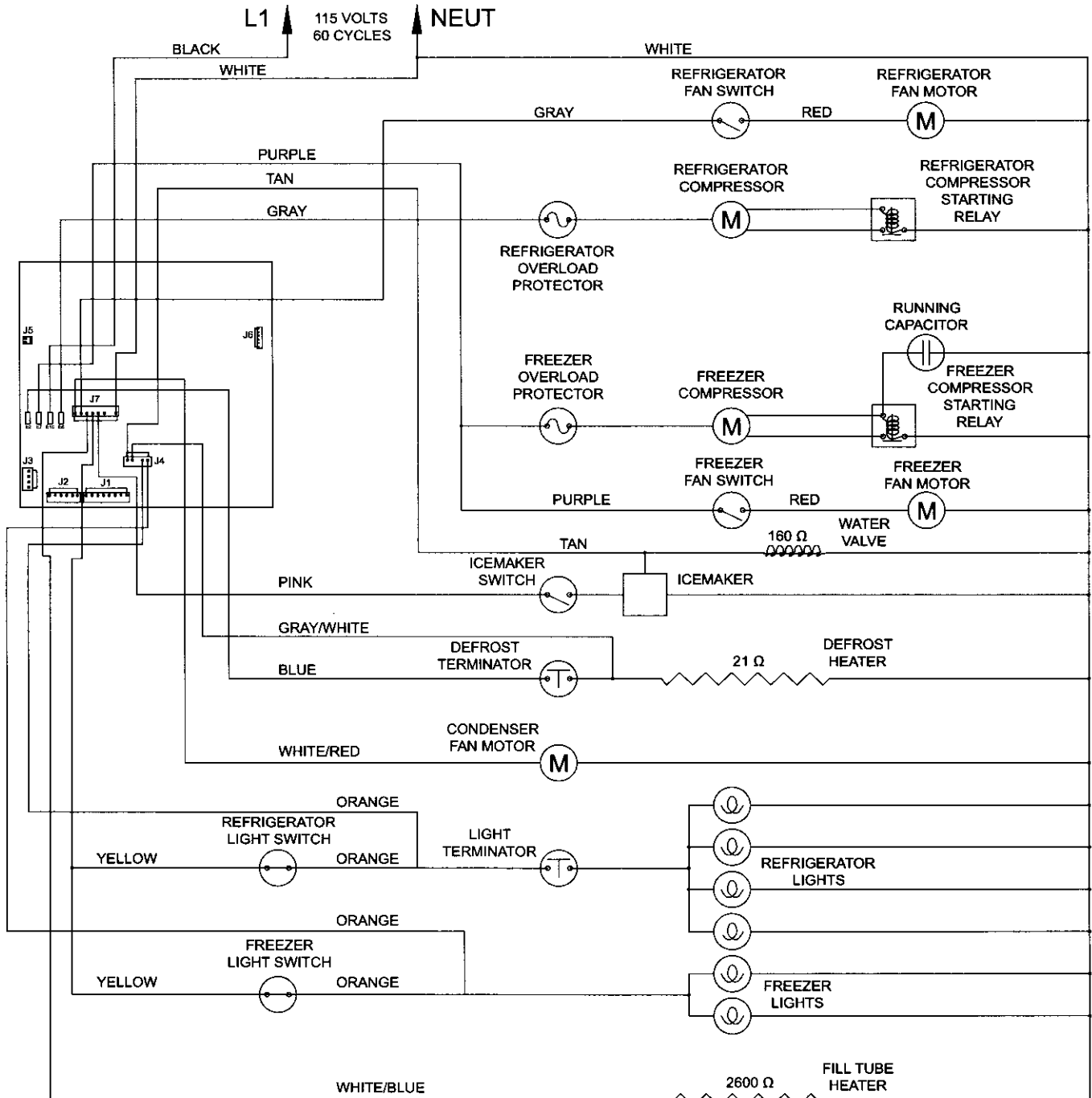


# WIRING SCHEMATIC

## MODELS: 611-3 & 650-3

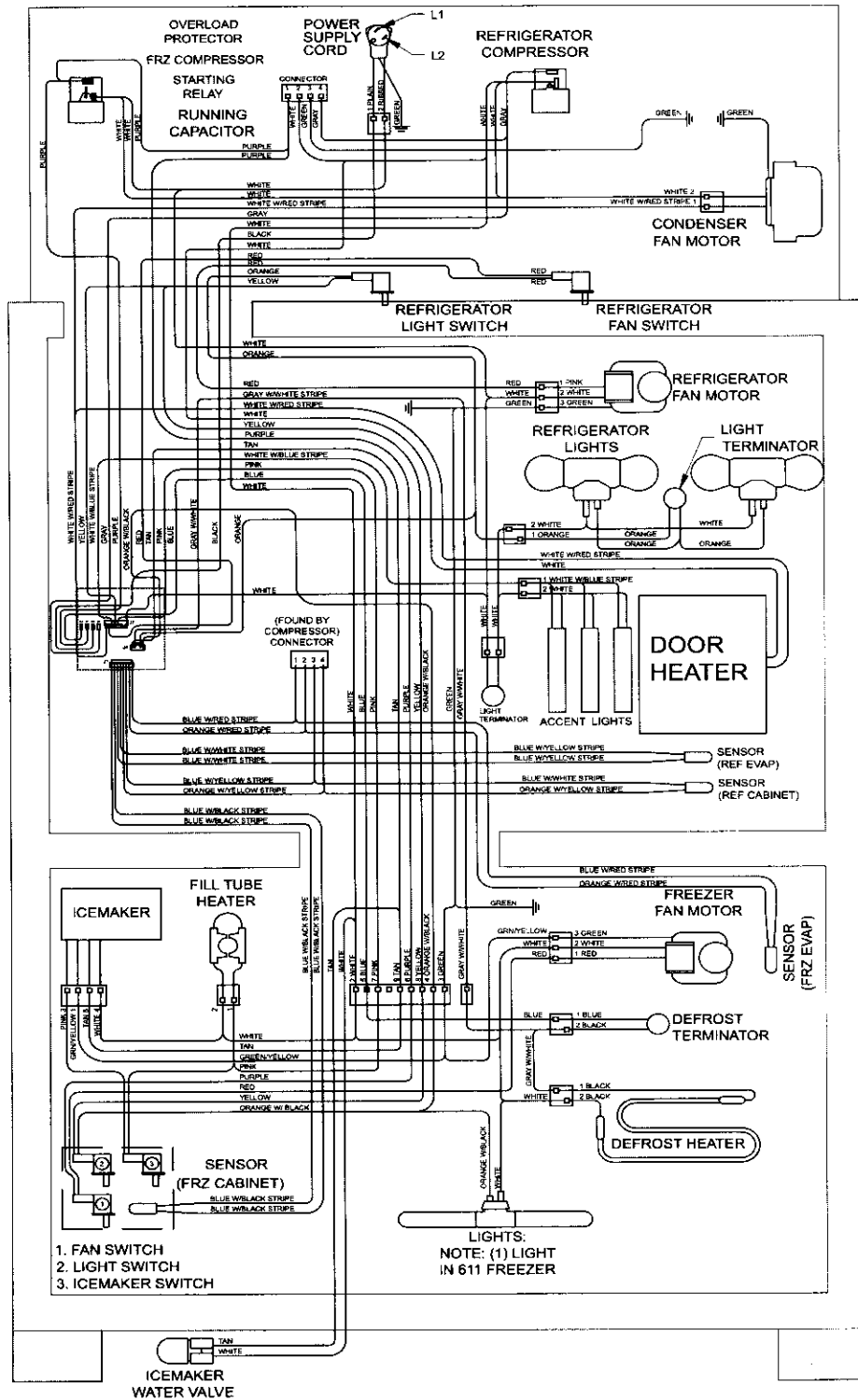
### ⚠ WARNING

-This wiring information is provided for use by qualified service personnel only.  
 -Disconnect appliance from electrical supply before beginning service.  
 -Be sure all grounding devices are connected when service is complete.  
 -Failure to observe the above warnings may result in severe electrical shock.



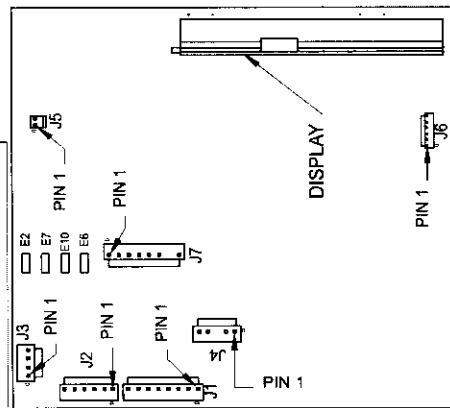
P/N 7001676 REV B

## WIRING DIAGRAM MODELS: 611G-3 & 650G-3



### ⚠️ WARNING

- This wiring information is provided for use by qualified service personnel only.
- Disconnect appliance from electrical supply before beginning service.
- Be sure all grounding devices are connected when service is complete.
- Failure to observe the above warnings may result in severe electrical shock.



| CIRCUIT | DESCRIPTION       | FUNCTION                             | COLOR      |
|---------|-------------------|--------------------------------------|------------|
| E1      | 120 VOLT CIRCUITS | POWER DEFROST CIRCUIT                | BLUE       |
| E2      | FRZ COMPRESSOR    | POWER FRZ COMPRESSOR                 | PURPLE     |
| E3      | FRZ COMPRESSOR    | POWER RATIO BOARD                    | BLACK      |
| E10     | POWER IN          | POWER REF COMPRESSOR                 | WHITE      |
| E7      | REF COMPRESSOR    | POWER DEFROST HEATER                 | WHITE      |
| E8      | REF COMPRESSOR    | POWER DEFROST HEATER AND DOOR HEATER | RED        |
| J1      | REF COMPRESSOR    | POWER REF EVAP FAN                   | WHITE/BLUE |
| J2      | ICE               | POWER ACCENT LIGHTS                  | YELLOW     |
| J3      | ICE               | POWER ICE TUBER AND FILL TUBE HEATER | PINK       |
| J4      | ICE               | NOT USED                             |            |
| J5      | ICE               | NOT USED (NO PIN)                    |            |
| J6      | REF COMPRESSOR    | REF COMPRESSOR LIGHT SENSE           | WHITE      |
| J7      | REF COMPRESSOR    | REF DOOR LIGHT SENSE                 | ORANGE     |
| J8      | REF COMPRESSOR    | REF DOOR LIGHT SENSE                 | ORANGE     |
| J9      | REF COMPRESSOR    | REF DOOR LIGHT SENSE                 | ORANGE     |
| J10     | REF COMPRESSOR    | REF DOOR LIGHT SENSE                 | ORANGE     |
| J11     | REF COMPRESSOR    | REF DOOR LIGHT SENSE                 | ORANGE     |
| J12     | REF COMPRESSOR    | REF DOOR LIGHT SENSE                 | ORANGE     |
| J13     | REF COMPRESSOR    | REF DOOR LIGHT SENSE                 | ORANGE     |
| J14     | REF COMPRESSOR    | REF DOOR LIGHT SENSE                 | ORANGE     |
| J15     | REF COMPRESSOR    | REF DOOR LIGHT SENSE                 | ORANGE     |
| J16     | REF COMPRESSOR    | REF DOOR LIGHT SENSE                 | ORANGE     |
| J17     | REF COMPRESSOR    | REF DOOR LIGHT SENSE                 | ORANGE     |
| J18     | REF COMPRESSOR    | REF DOOR LIGHT SENSE                 | ORANGE     |

P/N 7001764 REV B

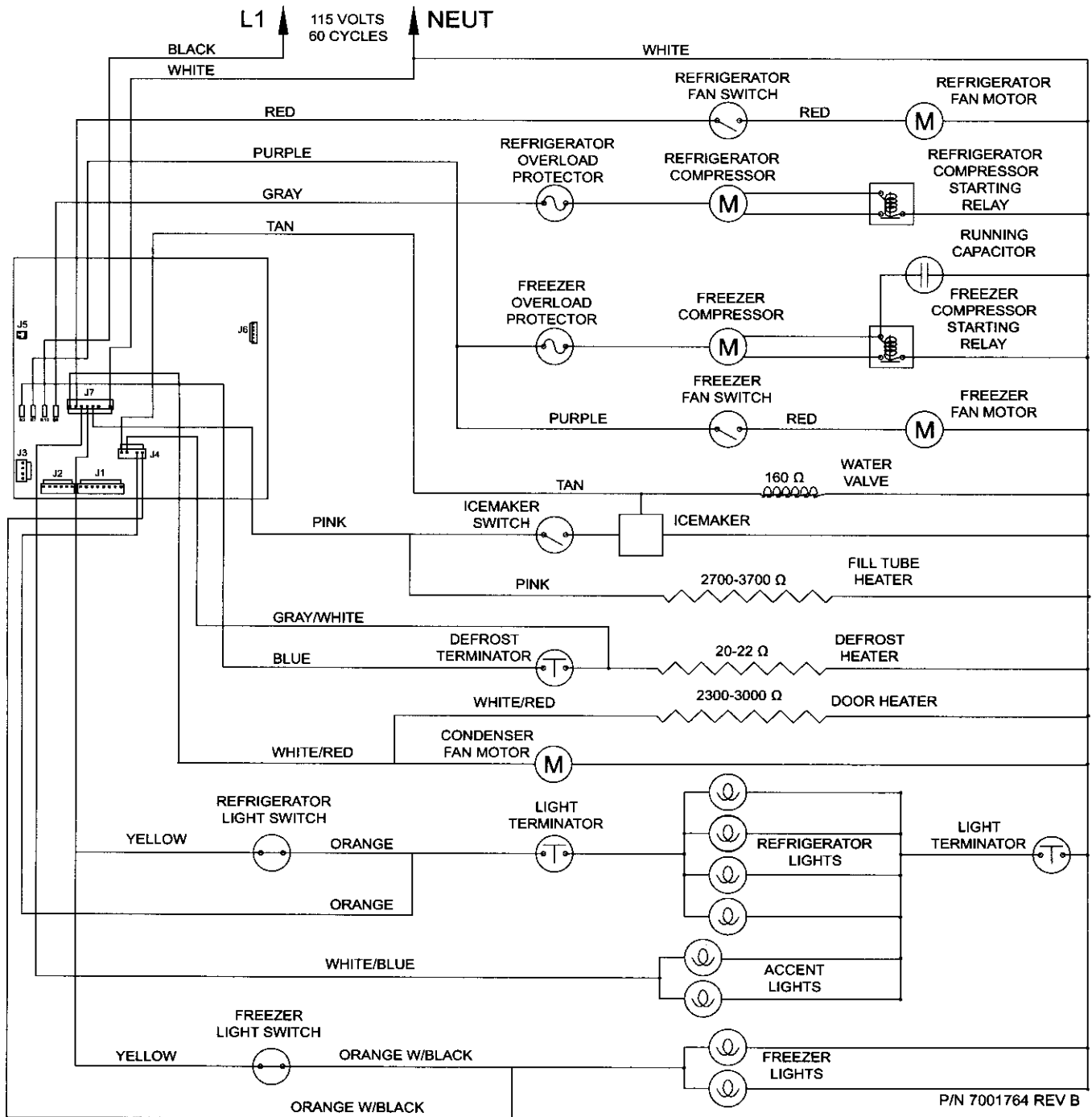
# WIRING SCHEMATIC

## MODELS: 611G-3/650G-3



**WARNING**

- This wiring information is provided for use by qualified service personnel only.
- Disconnect appliance from electrical supply before beginning service.
- Be sure all grounding devices are connected when service is complete.
- Failure to observe the above warnings may result in severe electrical shock.



P/N 7001764 REV B

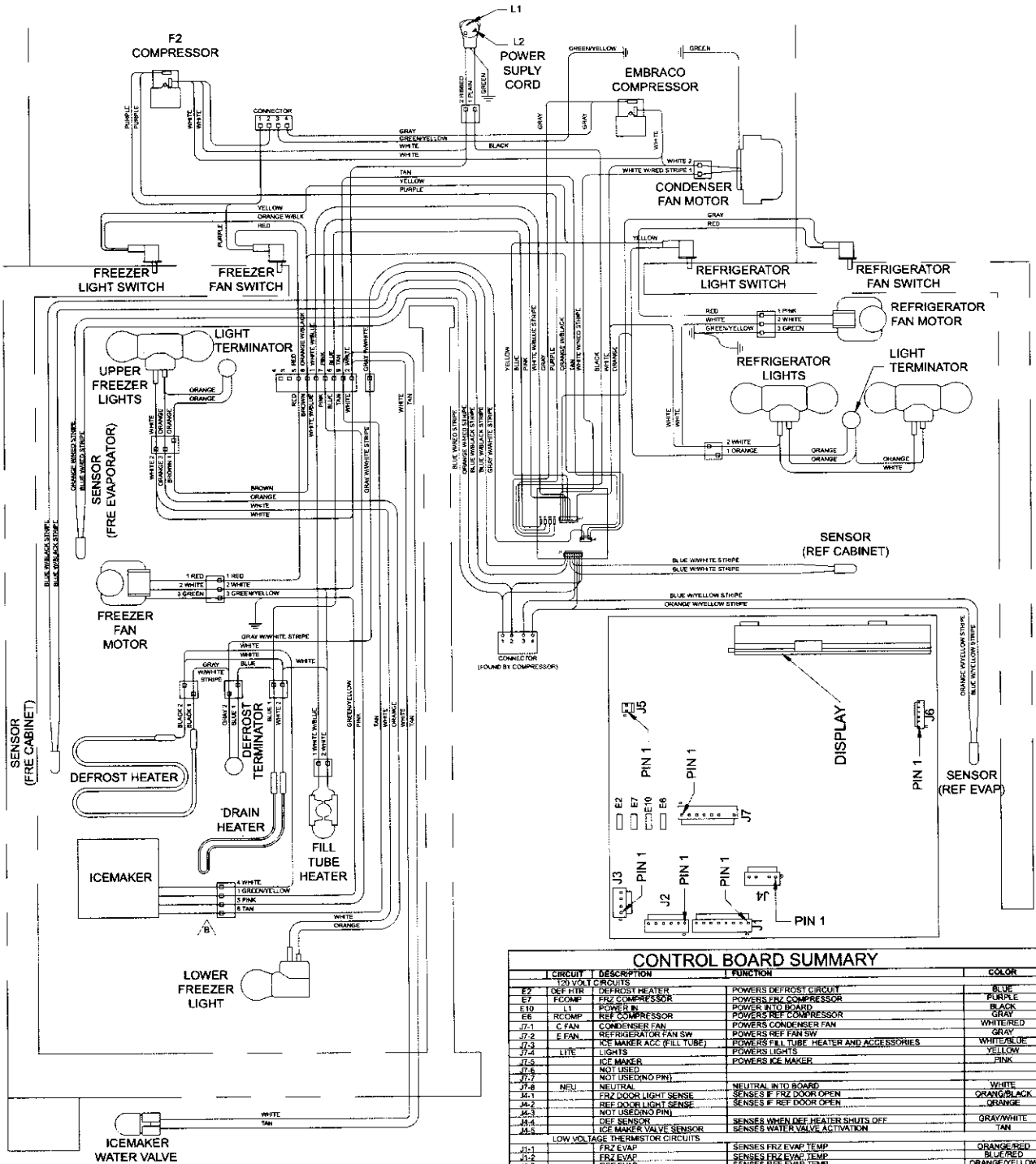


P/N 7002201 REV A

## WIRING DIAGRAM MODELS: 632-3/642-3

**⚠ WARNING**

-This wiring information is provided for use by qualified service personnel only.  
 -Disconnect appliance from electrical supply before beginning service.  
 -Be sure all grounding devices are connected when service is complete.  
 -Failure to observe the above warnings may result in severe electrical shock.



| CONTROL BOARD SUMMARY                  |                           |   |               |
|--|---------------------------|---|---------------|
| CIRCUIT                                | DESCRIPTION               | FUNCTION                                | COLOR         |
| <b>120 VOLT CIRCUITS</b>               |                           |   |               |
| E7                                     | DEF HTR                   | DEFROST HEATER                          | BLUE          |
| E7                                     | FCOMP                     | FRZ COMPRESSOR                          | PURPLE        |
| E10                                    | L1                        | POWER IN                                | BLACK         |
| E6                                     | RCOMP                     | REF COMPRESSOR                          | GRAY          |
| J1-1                                   | C FAN                     | CONDENSER FAN                           | WHIT/RED      |
| J1-2                                   | F FAN                     | REFRIGERATOR FAN SW                     | GRAY          |
| J1-3                                   | ICE MAKER ACC (FILL TUBE) | POWERS FILL TUBE HEATER AND ACCESSORIES | WHIT/BLUE     |
| J1-4                                   | LITE                      | POWERS LIGHTS                           | TAN           |
| J1-5                                   | ICE MAKER                 | POWERS ICE MAKER                        | PINK          |
| J1-6                                   | NOT USED                  |   |               |
| J1-7                                   | NEUTRAL                   | NEUTRAL INTO BOARD                      | WHITE         |
| J1-8                                   | FRZ DOOR LIGHT SENSE      | SENSES IF FRZ DOOR OPEN                 | ORANG/BLACK   |
| J1-9                                   | REF DOOR LIGHT SENSE      | SENSES IF REF DOOR OPEN                 | ORANGE        |
| J1-10                                  | NOT USED (NO PIN)         |   |               |
| J1-11                                  | DEF SENSOR                | SENSES WHEN DEF HEATER SHUTS OFF        | GRAY/WHITE    |
| J1-12                                  | ICE MAKER VALVE SENSOR    | SENSES WATER VALVE ACTIVATION           | TAN           |
| <b>LOW VOLTAGE THERMISTOR CIRCUITS</b> |                           |   |               |
| J1-1                                   | FRZ EVAP                  | SENSES FRZ EVAP TEMP                    | ORANGE/RED    |
| J1-2                                   | FRZ EVAP                  | SENSES FRZ EVAP TEMP                    | BLUE/RED      |
| J1-3                                   | REF EVAP                  | SENSES REF EVAP TEMP                    | ORANGE/YELLOW |
| J1-4                                   | REF EVAP                  | SENSES REF EVAP TEMP                    | BLUE/YELLOW   |
| J1-5                                   | REF COMPARTMENT           | SENSES REF COMPARTMENT                  | BLUE/WHITE    |
| J1-6                                   | REF COMPARTMENT           | SENSES REF COMPARTMENT                  | BLUE/WHITE    |
| J1-7                                   | FRZ COMPARTMENT           | SENSES FRZ COMPARTMENT                  | BLUE/BLACK    |
| J1-8                                   | FRZ COMPARTMENT           | SENSES FRZ COMPARTMENT                  | BLUE/BLACK    |

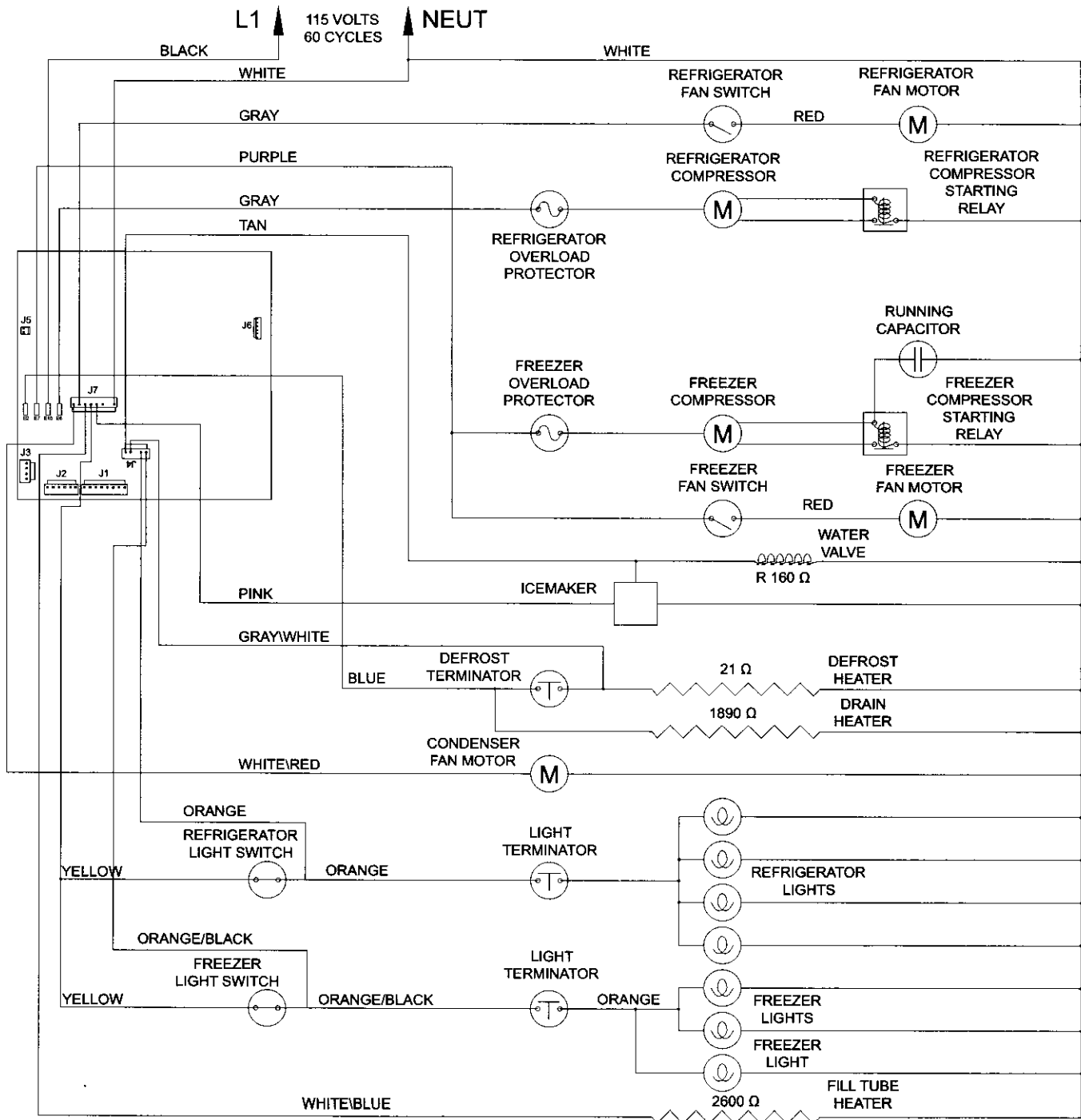
P/N 7003701 REV A

# WIRING SCHEMATIC

## MODELS: 632-3/642-3

**WARNING**

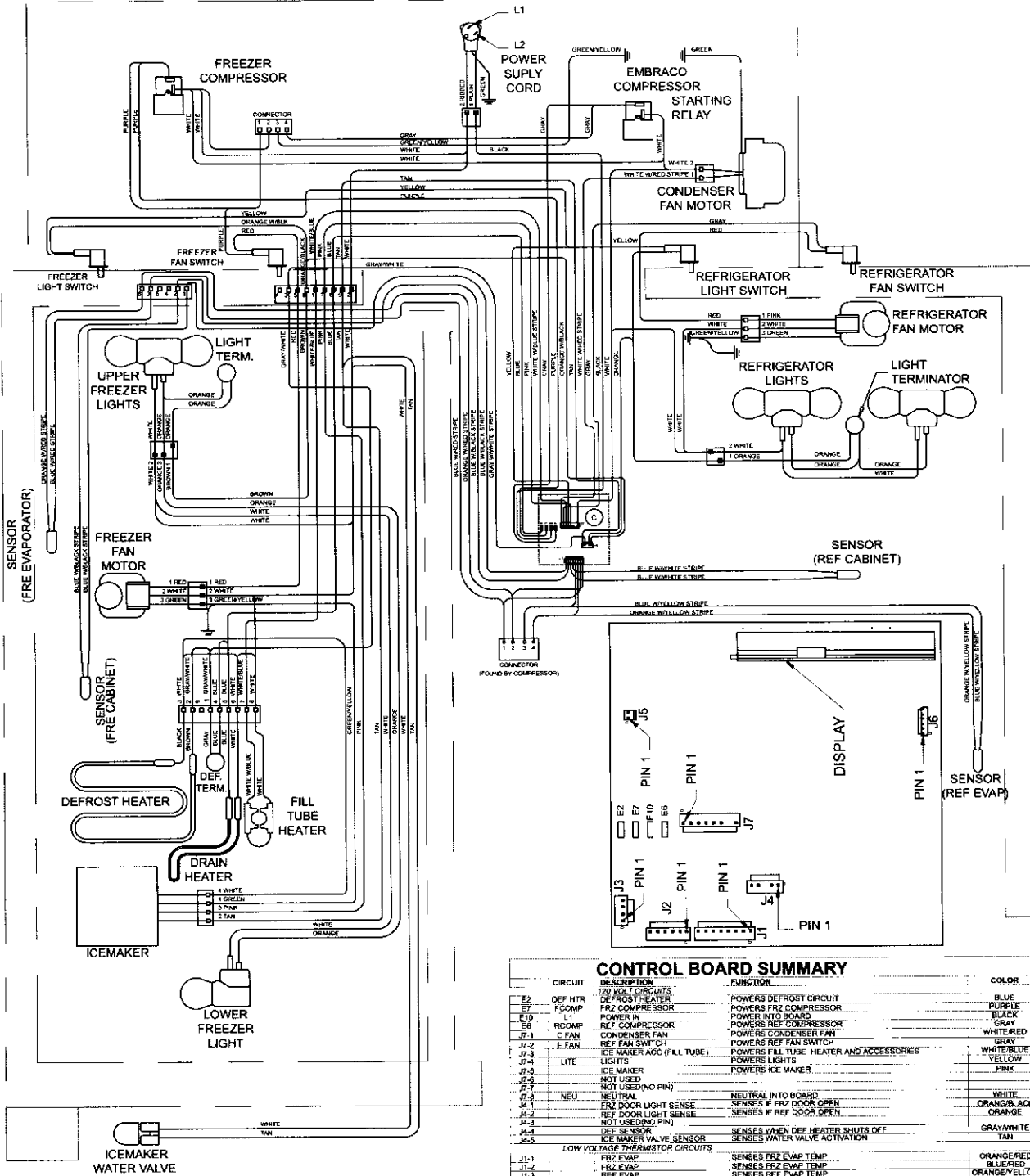
- This wiring information is provided for use by qualified service personnel only.
- Disconnect appliance from electrical supply before beginning service.
- Be sure all grounding devices are connected when service is complete.
- Failure to observe the above warnings may result in severe electrical shock.



WIRING DIAGRAM  
MODEL: 661-3

**WARNING**

-This wiring information is provided for use by qualified service personnel only.  
-Disconnect appliance from electrical supply before beginning service.  
-Be sure all grounding devices are connected when service is complete.  
-Failure to observe the above warnings may result in severe electrical shock.



| CIRCUIT | DESCRIPTION | FUNCTION                        | COLOR         |
|---------|-------------|---------------------------------|---------------|
| E2      | DEF HTR     | DEFROST HEATER                  | BLUE          |
| E7      | FCOMP       | FRZ COMPRESSOR                  | PURPLE        |
| E10     | L1          | POWER IN                        | BLACK         |
| E6      | RCOMP       | REF COMPRESSOR                  | GRAY          |
| J7-1    | C FAN       | CONDENSER FAN                   | WHITE/RED     |
| J7-2    | E FAN       | REF FAN SWITCH                  | GRAY          |
| J7-3    | C FAN       | ICE MAKER ACC (FILL TUBE)       | WHITE/BLUE    |
| J7-4    | LITE        | LIGHTS                          | YELLOW        |
| J7-5    | ICE         | ICE MAKER                       | PINK          |
| J7-6    |             | NOT USED                        |               |
| J7-7    |             | NOT USED (NO PIN)               |               |
| J7-8    | NEU         | NEUTRAL INTO BOARD              | WHITE         |
| M-1     |             | FRZ DOOR LIGHT SENSE            | ORANGE/BLACK  |
| M-2     |             | FRZ DOOR LIGHT SENSE            | ORANGE        |
| M-3     |             | NOT USE (NO PIN)                |               |
| M-4     | DEF         | DEF SENSOR                      | GRAY/WHITE    |
| M-5     | ICE         | ICE MAKER WATER SENSOR          | TAN           |
| J1-1    |             | LOW VOLTAGE THERMISTOR CIRCUITS |               |
| J1-1    | FRZ         | FRZ EVAP                        | ORANGE/RED    |
| J1-2    | FRZ         | FRZ EVAP                        | BLUE/RED      |
| J1-3    | REF         | REF EVAP                        | ORANGE/YELLOW |
| J1-4    | REF         | REF EVAP                        | BLUE/YELLOW   |
| J1-5    | REF         | REF COMPARTMENT                 | BLUE/WHITE    |
| J1-6    | REF         | REF COMPARTMENT                 | BLUE/WHITE    |
| J1-7    | FRZ         | FRZ COMPARTMENT                 | BLUE/BLACK    |
| J1-8    | FRZ         | FRZ COMPARTMENT                 | BLUE/BLACK    |

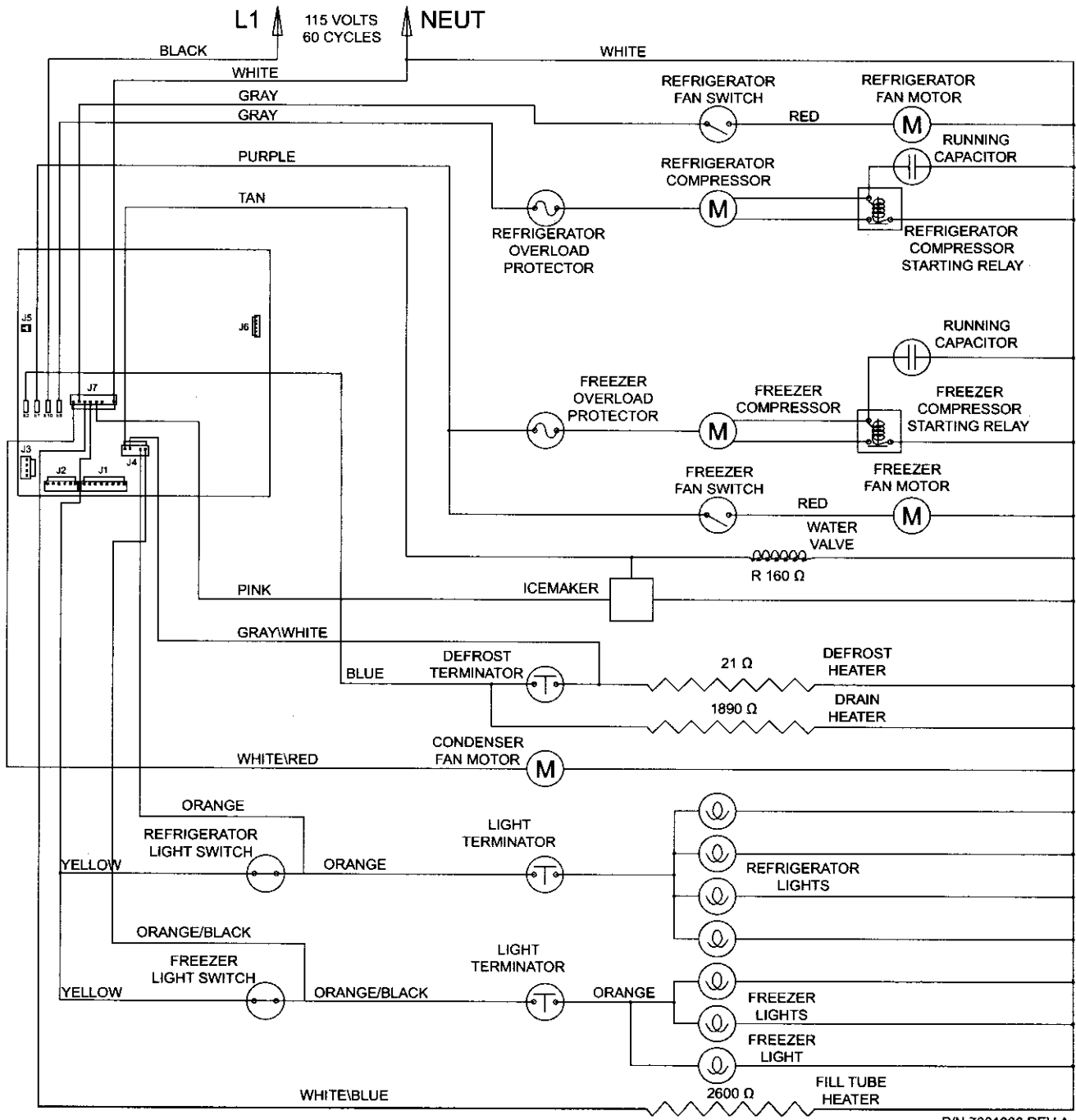
P/N 7001968 REV A



# WIRING SCHEMATIC MODEL: 661-3

## WARNING

- This wiring information is provided for use by qualified service personnel only.
- Disconnect appliance from electrical supply before beginning service.
- Be sure all grounding devices are connected when service is complete.
- Failure to observe the above warnings may result in severe electrical shock.



P/N 7001966 REV A

# Wiring Diagrams / Schematics **Built-In (600-3) Series** **SUB-ZERO**

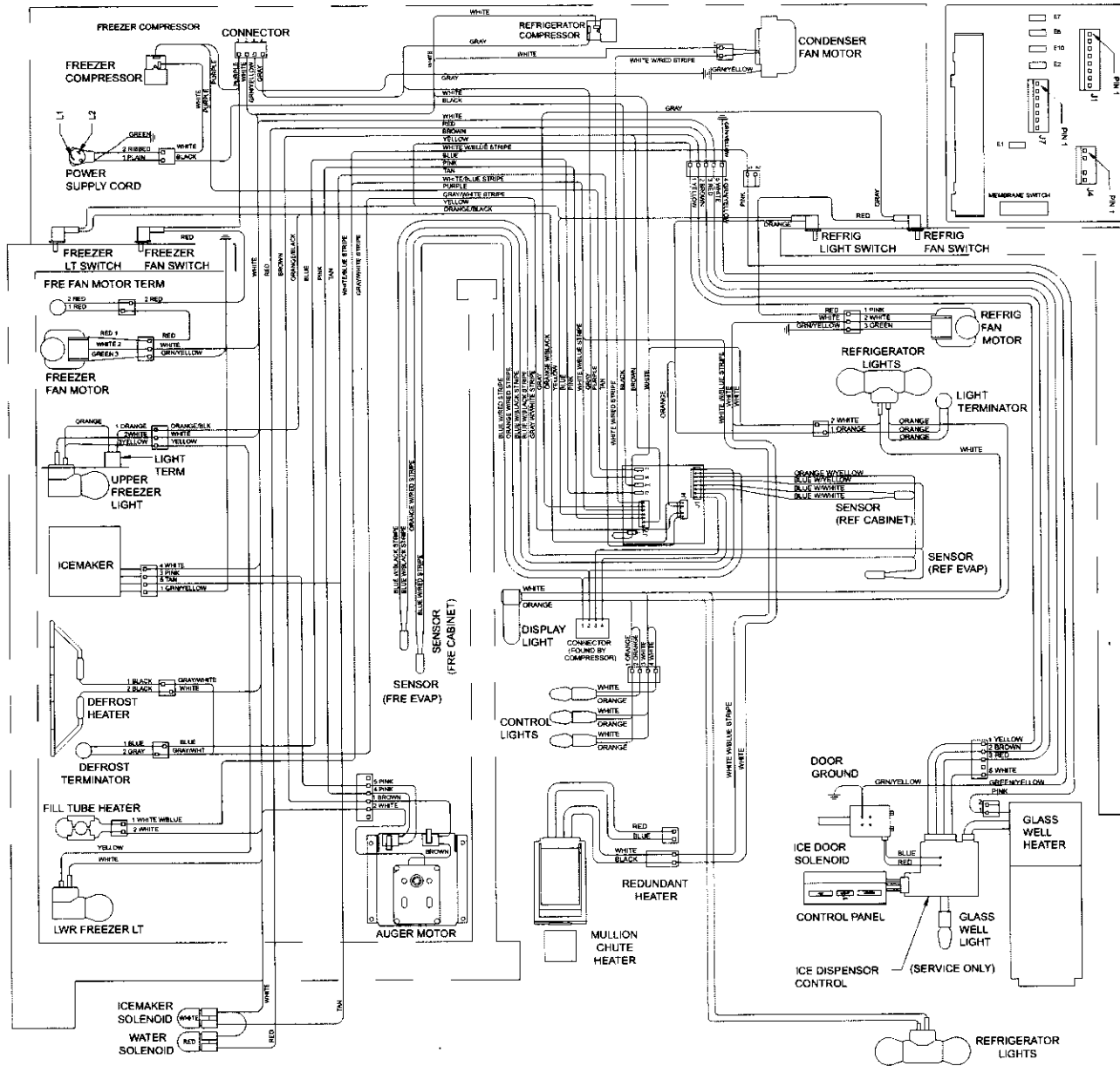
P/N 3758706 REV B

## WIRING DIAGRAM

### MODELS: 685-3/695-3

**⚠ WARNING**

-This wiring information is provided for use by qualified service personnel only.  
 -Disconnect appliance from electrical supply before beginning service.  
 -Be sure all grounding devices are connected when service is complete.  
 -Failure to observe the above warnings may result in severe electrical shock.



### CONTROL BOARD SUMMARY/ LAYOUT

| CIRCUIT           | DESCRIPTION                       | FUNCTION                         | COLOR      | CIRCUIT                     | DESCRIPTION              | FUNCTION                     | COLOR         |
|-------------------|-----------------------------------|----------------------------------|------------|-----------------------------|--------------------------|------------------------------|---------------|
| 120 VOLT CIRCUITS |                                   |                                  |            | 120 VOLT CIRCUITS CONTINUED |                          |                              |               |
| E1                | NEUTRAL                           | NEUTRAL INTO BOARD               | WHITE      | J7-5                        | ICE MAKER                | POWERS ICE MAKER             | PINK          |
| E2                | DEFROST HEATER                    | POWERS DEFROST CIRCUIT           | BLUE       | J7-6                        | BULK ICE                 | POWERS AUGER MOTOR           | BROWN         |
| E6                | REFRIGERATOR COMPRESSOR           | POWERS REFRIG COMPRESSOR         | GRAY       | J7-7                        | NOT USED                 |                              |               |
| E7                | FREEZER COMPRESSOR                | POWERS FREEZER COMPRESSOR        | PURPLE     |                             |                          |                              |               |
| E10               | POWER IN                          | POWER INTO BOARD                 | BLACK      |                             |                          |                              |               |
| J4-1              | FREEZER LIGHT SENSOR              | SENSES IF FREEZER DOOR OPEN      | ORANGE/BLK | J1-1                        | THERMISTERS CIRCUITS     |                              |               |
| J4-2              | REF LIGHT SENSOR                  | SENSES IF REF DOOR OPEN          | ORANGE     | J1-2                        | FREEZER EVAPORATOR       | SENSES FRE EVAP TEMP         | ORANGE/RED    |
| J4-3              | NOT USED (NO PIN)                 |                                  |            | J1-3                        | FREEZER EVAPORATOR       | SENSES FRE EVAP TEMP         | BLUE/RED      |
| J4-4              | DEFROST SENSE TERMINATOR          | SENSES WHEN HEATER SHUTS OFF     | GRAY/WHIT  | J1-4                        | REFRIGERATOR EVAPORATOR  | SENSES REF EVAP TEMP         | ORANGE/YELLOW |
| J5-5              | ICE MAKER VALVE                   | SENSES WATER VALVE ACTIVATION    | TAN        | J1-5                        | REFRIGERATOR EVAPORATOR  | SENSES REF EVAP TEMP         | BLUE/YELLOW   |
| J7-1              | CONDENSER                         | POWERS CONDENSER FAN             | GRAY       | J1-6                        | REFRIGERATOR COMPARTMENT | SENSES REF COMPARTMENT TEMP  | BLUE/WHITE    |
| J7-2              | REFRIG FAN SWITCH                 | POWERS REF FAN SW                | GRAY       | J1-7                        | FREEZER COMPARTMENT      | SENSES FREZ COMPARTMENT TEMP | BLUE/WHITE    |
| J7-3              | ICE MAKER ACCESSORIES (FILL TUBE) | POWERS FILL TUBE AND ACCESSORIES | WHIT/BLUE  | J1-8                        | FREEZER COMPARTMENT      | SENSES FREZ COMPARTMENT TEMP | BLUE/BLACK    |
| J7-4              | LIGHTS                            | POWERS LIGHTS                    | YELLOW     |                             |                          |                              |               |





P/N 3758706 REV B

## WIRING SCHEMATIC MODELS: 685-3/695-3

### WARNING

- This wiring information is provided for use by qualified service personnel only.
- Disconnect appliance from electrical supply before beginning service.
- Be sure all grounding devices are connected when service is complete.
- Failure to observe the above warnings may result in severe electrical shock.

