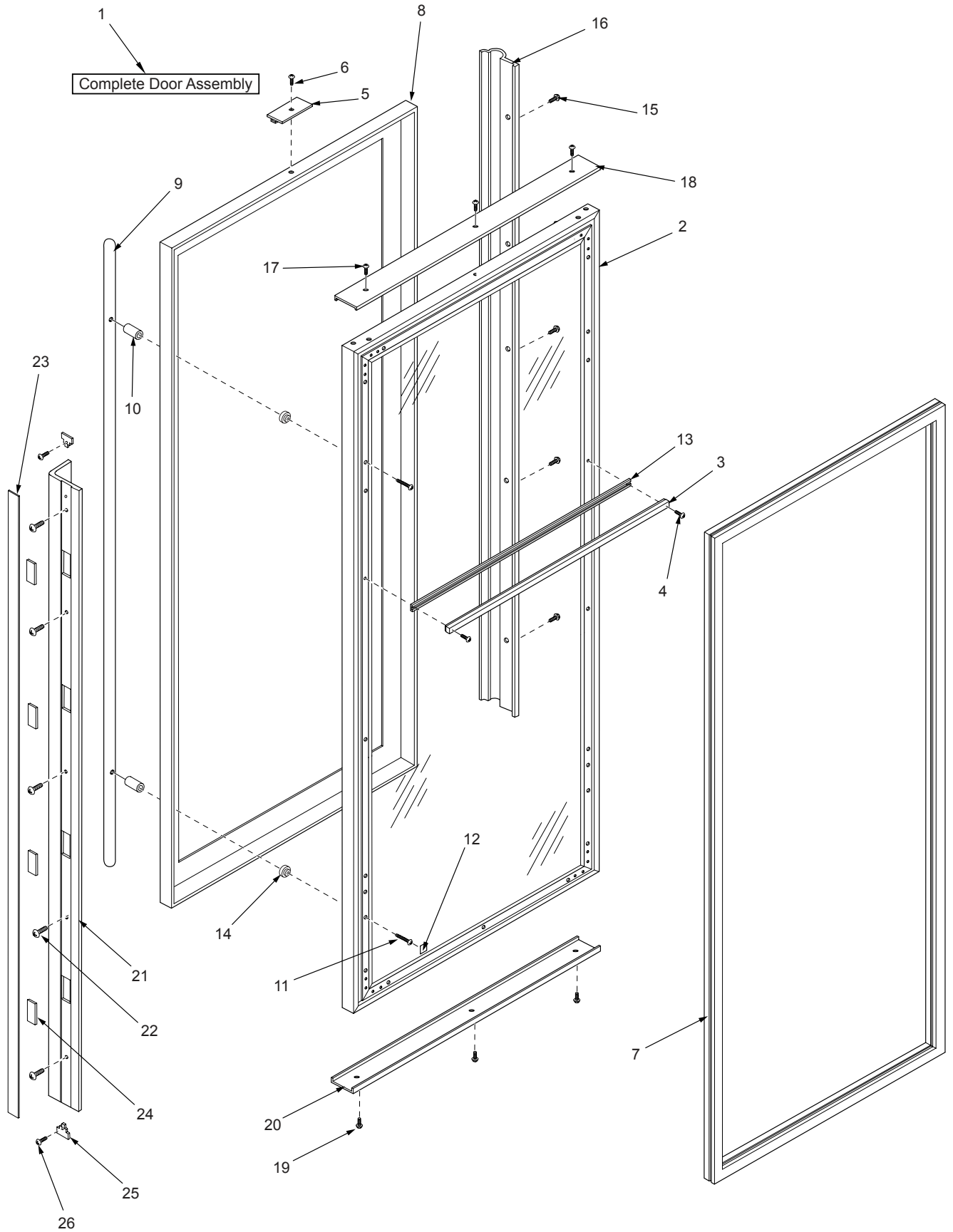


430 DOOR VIEW PARTS LIST

1. 4134240 Door Assy, SRVC - 430G/F&O RH (Does not include hinges or handle)
- 4134250 Door Assy, SRVC - 430G/F&O LH (Does not include hinges or handle)
- 4134401 Door Assy, (High Altitude) - 430HAG/F&O RH (Does not include hinges or handle)
- 4134402 Door Assy, (High Altitude) - 430HAG/F&O LH (Does not include hinges or handle)
- 4134260 Door Assy, SRVC - 430G/S RH (Does not include hinges)
- 4134270 Door Assy, SRVC - 430G/S LH (Does not include hinges)
- 4134403 Door Assy, (High Altitude) - 430HAG/S RH (Does not include hinges)
- 4134404 Door Assy, (High Altitude) - 430HAG/S LH (Does not include hinges)
- 4133785 Door Assy, SRVC-430G/B-RH (Does not include hinges or handle)
- 4133786 Door Assy, SRVC-430G/B-LH (Does not include hinges or handle)
- 4133787 Door Assy, SRVC-430HAG/B-RH (High Altitude) (Does not include hinges or handle)
- 4133788 Door Assy, SRVC-430HAG/B-LH (High Altitude) (Does not include hinges or handle)
- 4134915 Door Assy, SRVC-430G/P-RH (Does not include hinges or handle)
- 4134916 Door Assy, SRVC-430G/P-LH (Does not include hinges or handle)
- 4134917 Door Assy, SRVC-430HAG/P-RH (High Altitude) (Does not include hinges or handle)
- 4134918 Door Assy, SRVC-430HAG/P-LH (High Altitude) (Does not include hinges or handle)
- 4134280 Door Assy, SRVC - 430S/F&O RH (Does not include hinges or handle)
- 4134290 Door Assy, SRVC - 430S/F&O LH (Does not include hinges or handle)
- 4134300 Door Assy, SRVC - 430S/S RH (Does not include hinges)
- 4134310 Door Assy, SRVC - 430S/S LH (Does not include hinges)
- 4133793 Door Assy, SRVC-430S/B-RH (Does not include hinges or handle)
- 4133794 Door Assy, SRVC-430S/B-LH (Does not include hinges or handle)
- 4134923 Door Assy, SRVC-430S/P-RH (Does not include hinges or handle)
- 4134924 Door Assy, SRVC-430S/P-LH (Does not include hinges or handle)
2. 4132760 Door Assy, 430Glass
- 4134400 Door Glass Assy, (High Altitude) - 430
- 4133020 Door Assy, 430Solid
3. 3212040 Seal, Center
4. 6201360 Screw, #4 x 3/4" PH PAN HD TYPE A
5. 3421380 Depressor, Switch (430G/F&O, 430G/P, 430G/S, 430S/F&O, 430S/P, 430S/S)
- 3421381 Depressor, Switch, B (430G/B, 430S/B)
6. 6200720 Screw, #8-18 x 1/2 PH Truss HD (430G/F&O, 430G/P, 430G/S, 430S/F&O, 430S/P, 430S/S)
- 6200721 Screw, #8-18X1/2 Ph Low Prfl, B (430G/B, 430S/B)
7. 3211980 Gasket, Door
8. 4203170 SS Door Panel Pkg, Glass-430RH (430G/S-RH)
- 4203180 SS Door Panel Pkg, Glass-430LH (430G/S-LH)
- 4133881 Door Skin Assy, SRVC-430G/B-RH (430G/B, 430HAG/B)
- 4133882 Door Skin Assy, SRVC-430G/B-LH (430G/B, 430HAG/B)
- 4135011 Door Skin Assy, SRVC-430G/P-LH (430G/P, 430HAG/P)
- 4135012 Door Skin Assy, SRVC-430G/P-LH (430G/P, 430HAG/P)
- 4203210 SS Door Panel Pkg, Solid-430RH (430S/S-RH)
- 4203220 SS Door Panel Pkg, Solid-430LH (430S/S-LH)
- 0185471 Skin, Door-430S/B-RH (430S/B)
- 0185472 Skin, Door-430S/B-LH (430S/B)
- 0185473 Skin, Door-430S/P-RH (430S/P)
- 0185474 Skin, Door-430S/P-LH (430S/P)
9. 3511160 SS Door Handle, 1"Dia x 63-7/8" (430G/S, 430S/S) - (See SN Breaks)
- 3511970 Handle, Door SS 1 X 63.875 (430G/S, 430S/S) - (See SN Breaks)
- 3511971 Handle, Door 1X63.88, B (430G/B, 430S/B)
- 3511972 Handle, Door 1X63.88, P (430G/P, 430S/P)
10. 3511190 Handle Standoff, 1"Dia (430G/S, 430S/S) - (See SN Breaks)
- 3512200 Standoff, SS Oval (430G/S, 430S/S) - (See SN Breaks)
- 3512201 Standoff, Oval, B (430G/B, 430S/B)
- 3512202 Standoff, Oval, P (430G/P, 430S/P)
11. 6110650 Machine Screw, #10-24x2 TRHDSS (430G/B, 430G/P, 430G/S, 430S/B, 430S/P, 430S/S)
12. 6230970 Poly Tape
13. 2813301 Holder, Compression Gasket 26.5
14. 6160250 Spacer - Door Handle (430G/B, 430G/P, 430G/S, 430S/B, 430S/P, 430S/S)
15. 6200720 Screw, #8-18 x 1/2 PH Truss HD (430G/F&O, 430G/P, 430G/S, 430S/F&O, 430S/P, 430S/S)
- 6200721 Screw, #8-18X1/2 Ph Low Prfl, B (430G/B, 430S/B)
16. 3511130 Door Trim, Hinge Side - Square Corner (430G/S, 430S/S)
- 3511131 Door Trim, Hinge Side - Mitered Corner (430G/F&O, 430S/F&O)
- 3512241 Trim, Door Hinge Side - Carbon (430G/B, 430S/B)
- 3512242 Trim, Door Hinge Side - Platinum (430G/P, 430S/P)
17. 6200720 Screw, #8-18 x 1/2 PH Truss HD
18. 2230619 Trim, Door Top Ref - RH (430G/F&O, 430S/F&O)
- 2230622 Trim, Door Top Ref - LH (430G/F&O, 430S/F&O)
19. 6200720 Screw, #8-18 x 1/2 PH Truss HD
20. 2230620 Trim, Door Bot Ref - RH (430G/F&O, 430S/F&O)
- 2230621 Trim, Door Bot Ref - LH (430G/F&O, 430S/F&O)
21. 4132270 Extended Door Handle Assy, 67.88 (430G/F, 430S/F)
- 4132320 Handle-side Door Trim (430G/O, 430S/O)
22. 6201300 Tapping Screw, #8 x 1/2" (430G/F&O, 430S/F&O)
23. 4131860 Handle/Trim Molding Assembly (430G/F&O, 430S/F&O)
24. 3450450 Molding Magnet - 3" (430G/F&O, 430S/F&O)
25. 3413340 Handle/Trim End Cap (430G/F&O, 430S/F&O)
26. 6180160 Rivet, Open End Blind, 1/8" X 3/16" (430G/F&O, 430S/F&O)

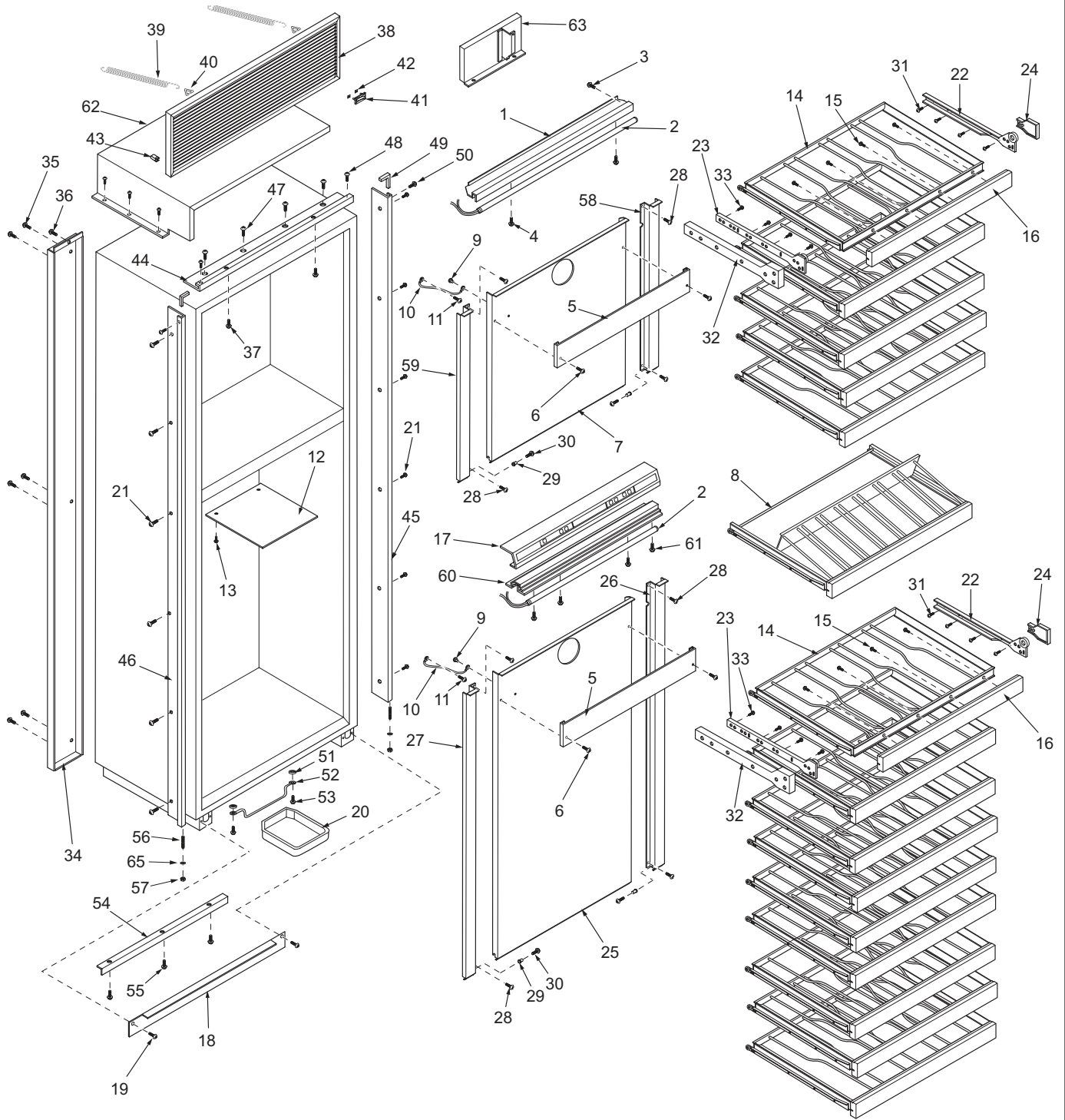
430 DOOR VIEW



430 COSMETIC VIEW PARTS LIST

1.	3511690	Extrusion, Upper Light	44.	2229626	Frame, Main Top 30" - RH (See SN Breaks)
2.	3030150	Light Strip, 15 WATT		2229910	Frame,Mn Top 30" RH (See SN Breaks)
3.	6201270	Screw, #8-18 x 5/8" PH PN SS-Gnd		2234028	Frame,Main Top 30 RH (See SN Breaks)
4.	6201310	Screw, #8 x 1-3/4" Flat PH HD		3517051	Frame,Main Top 30-RH, B
5.	0212360	Evaporator Fan cover		3517054	Frame,Main Top 30-RH, P
6.	6201010	Screw, #8-15 x 2" Pan Head		2229627	Frame, Main Top 30" - LH (See SN Breaks)
7.	0200960	Cover, Evaporator Upper		2229920	Frame,Main Top 30"LH (See SN Breaks)
8.	4181780	Rack Assy, Display Wine		2234029	Frame,Main Top 30 LH (See SN Breaks)
9.	6180010	Pop Rivet, 1/8"		3517052	Frame,Main Top 30-LH, B
10.	4323860	Ground Wire Assy		3517055	Frame,Main Top 30-LH, P
11.	6201270	Screw, #8-18 x 5/8" PH PN SS-Gnd	45.	4120580	Main Frame Assy, Right -RH (See SN Breaks)
12.	0184410	Panel, Srvc/Access (See SN Breaks)		4120860	Frame Assy, Main RT Side-RH (See SN Breaks)
	4152220	Pnl Assy, Srvc Acc (See SN Breaks)		4120861	Frame Assy,Main Right -RH, B
13.	6200720	Screw, #8-18 x 1/2 PH Truss HD		4120862	Frame Assy,Main Right -RH, P
14.	4181750	Wine Rack Assembly		2229602	Main Frame, Right Side - LH (See SN Breaks)
15.	6201420	Screw		2234006	Frame, Main Side Right-LH (See SN Breaks)
16.	3516540	Molding, Wood Wine Rack		3517006	Frame,Main Side Right-LH, B
17.	4203130	Control Panel Pkg, SRVC - 430		3517031	Frame,Main Side Right-LH, P
18.	0168570	Kickplate, Stainless Steel (430/S)	46.	2229603	Main Frame, Left Side-RH (See SN Breaks)
	0260710	Kickplate, Solid (430/F, 430/O)		2234004	Frame,Main Side Left-RH (See SN Breaks)
	0168571	Kickplate, Solid-30", B (430/B)		3517004	Frame,Main Side Left-RH, B
	0168572	Kickplate, Solid-30", P (430/P)		3517029	Frame,Main Side Left-RH, P
19.	6200050	Screw, #10-12 x 1/2" Pan HD		4120590	Main Frame Assy, Left -LH (See SN Breaks)
	6200120	Screw, #10-12 x 1/2" Truss HD (SS)		4120870	Frame Assy, Main Left -LH (See SN Breaks)
20.	0164940	Drain Pan, Plastic		4120871	Frame Assy, Main Left -LH, B
21.	6200210	Screw, #8-32 x 1/2" Flat Head	47.	6200010	Screw, #10-12 x 3/4" Pan HD
	6201550	Screw, #8-18 X 1/2 Low Profile	48.	6200070	Screw, #4-24 x 3/8" Flat HD
22.	3413551	Cabinet Slide, RH	49.	2210701	Main Frame Angle
23.	3413552	Cabinet Slide, LH	50.	6200070	Screw, #4-24X3/8" Flat HD
24.	3421830	Slide Spacer		6200071	Screw, #4-24X3/8 Flat Hd, B
25.	0200970	Cover, Evaporator Lower	51.	3420670	Screw Spacer
26.	0201010	Evap Support, Lower RH	52.	3420760	Drain Pan Holder
27.	0201000	Evap Support, Lower LH	53.	6201060	Screw, #8x1-1/4" PH FLAT TAP
28.	6201270	Screw, #8-18 x 5/8" PH PN SS-Gnd	54.	0169050	Kickplate Support
29.	3520120	Brass Insert	55.	6200010	Screw, #10-12 x 3/4" Pan HD
30.	6200130	Screw, #8-18 x 3/4" Truss HD	56.	3550190	Bottom Hinge Stud
31.	6201230	Screw, #8 x 7/8" w/a #7 PH FT Head	57.	6150200	Nut, 1/4-20 Hex
32.	3421820	Slide Support Spacer		6150201	Nut, 1/4-2 0 Hex, B
33.	6201240	Screw, #8 x 1-3/8" w/a #7 PH FT Hd	58.	0200990	Evap Support, Upper RH
34.	0168950	Duct, Back	59.	0200980	Evap Support, Upper LH
35.	6201060	Screw, #8x1-1/4" PH FLAT TAP	60.	3511720	Housing, Lower Light
36.	6201270	Screw, #8-18 x 5/8" PH PN SS-Gnd	61.	6200720	Screw, #8-18 x 1/2 PH Truss HD
37.	6201310	Screw, #8 x 1-3/4" Flat PH HD	62.	4281250	Shroud Assy, Unit
	6201311	Screw, #8X1-3/4 Flt Ph Hd, B	63.	4281100	Shroud Assy, Compressor
38.	6LG3011	Louvered Grille Assembly, 30" x 11"	64.	6201430	(Not pictured) Panel Mnt Hrdwr Pack
	6PG3011	Panel Grille Assembly, 30" x 11"	65.	6240070	Lock Washer, 1/4" SS
	6SG3011	SS Grille 30" x 11" (See SN Breaks)		6240071	Washer, Lock 1/4", B
	6SG3011/S	SS Grille,30X11-CLSC(See SN Breaks)			
	6SG3011/B	SS Grille 30X11-Carbon			
	6SG3011/P	SS Grille 30X11-Platinum			
39.	3450900	Grille Spring			
40.	3450520	Grille Hook			
41.	3580230	Name Plate, Approx 1-1/4X3" w/Pegs			
	3580210	Name Plate, Appr. 1-1/4"X3" Stick-on			
	3580211	Nameplate, B,P			
42.	6150140	Spring Grip Nut, 1/8"			
43.	6150840	Tinnerman J-Clip			

430 COSMETIC VIEW



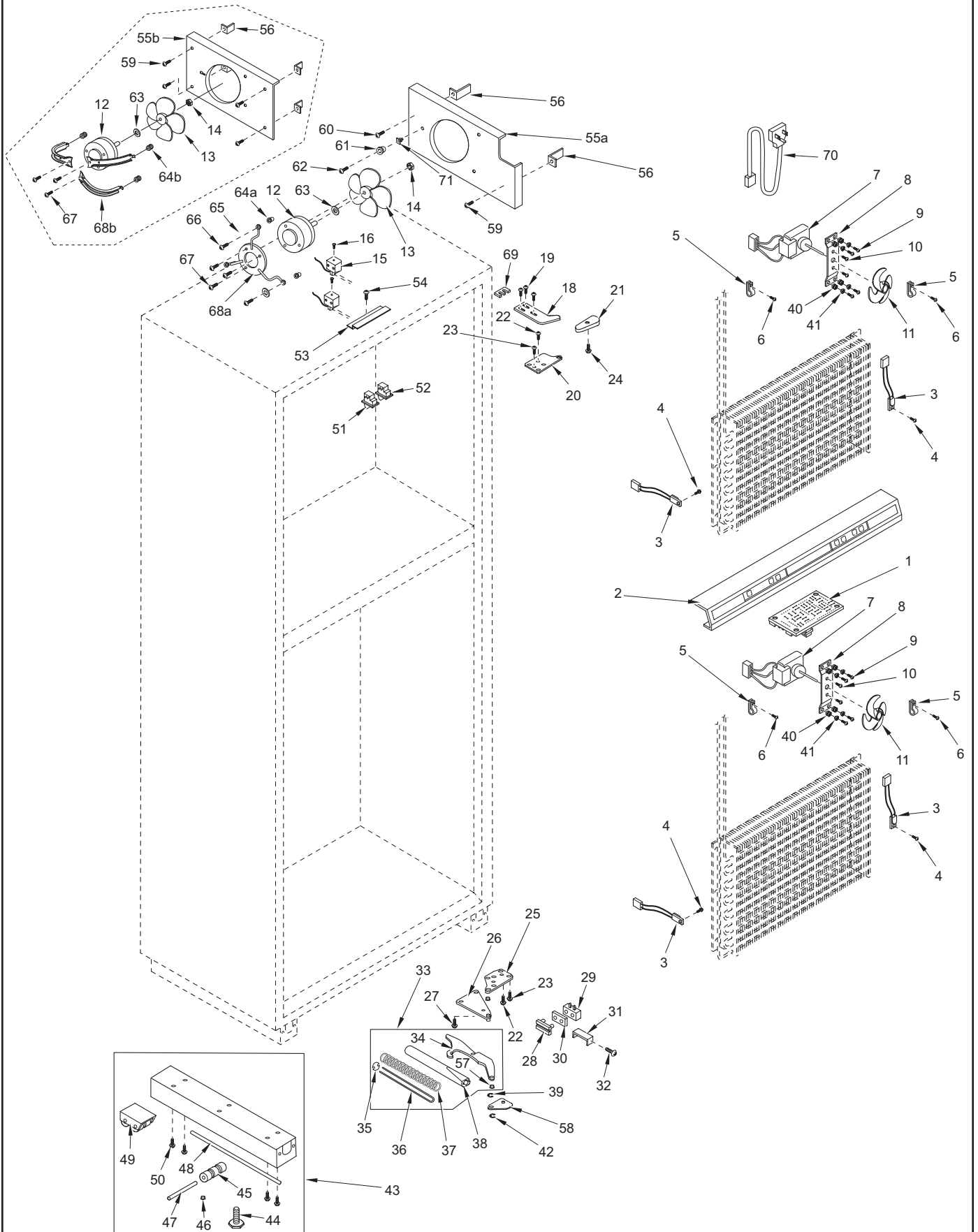
430 MECHANICAL VIEW PARTS LIST

- | | | | | | |
|-----|---------|---|------|---------|---------------------------------------|
| 1. | 4203140 | Control Board PKG, SRVC 400 | 30. | 0165970 | Door Closer Guide Support |
| 2. | 4203130 | Control Panel Pkg, SRVC - 430 | 31. | 0166360 | Door Closer Cushion Retainer |
| 3. | 3014350 | Thermistor | 32. | 6180010 | Pop Rivet, 1/8" |
| 4. | 6201270 | Screw, #8-18 x 5/8" PH PN SS-Gnd | 33. | 4201111 | Door Closer Assy, RH (430/F/O/S/P) |
| 5. | 6120030 | Tube Clamp, Plastic 1/4" | | 4201115 | Door Closer Assy, SBS RH-B (430/B) |
| 6. | 6201270 | Screw, #8-18 x 5/8" PH PN SS-Gnd | | 4201112 | Door Closer Assy, LH (430/F/O/S/P) |
| 7. | 4220490 | Fan Motor Assembly (Includes Bracket & Screws) | | 4201116 | Door Closer Assy, SBS LH-B (430/B) |
| 8. | 0212330 | Bracket, Evap Fan Motor | 34. | NA | See 4201111, 1112, 1115 or 1116 |
| 9. | 6201270 | Screw, #8-18 x 5/8" PH PN SS-Gnd | 35. | 0165980 | Door Closer Spring Retainer |
| 10. | 6110270 | Bolt, #10-32 x 1/4" RD HD | 36. | 3421290 | Door Closer Linkage |
| 11. | 3150640 | Fan blade, Evaporator | 37. | 3450530 | Door Closer Spring |
| 12. | 4200740 | Cond Fan Mtr Pkg (Blade NOT Incl.) (See SN Breaks) | 38. | NA | See 4201111, 1112, 1115 or 1116 |
| | 4200741 | Cond Fan Mtr Pkg (Blade NOT Incl.) (See SN Breaks) | 39. | 3450550 | E-Ring / Klipping, 5/16" |
| 13. | 3150320 | Fan Blade, Cond, 5 prop, 7" | 40. | 3220250 | Grommet, Rubber-#M5351 |
| 14. | 6150410 | Nut, 1/4-20 | 41. | 3520120 | Brass Insert, Fan Bracket |
| 15. | 4203060 | Valve/Sol Components, UPR-Wine | 42. | 3450560 | E-Ring, 7/16" (Supl w/DS90 & DS105) |
| | 4203070 | Valve/Sol Components, LWR-Wine (Included w/ Valve/Sol Components) | 43. | 4110353 | Base Assy (w/rollers) |
| 16. | N/A | | 44. | 3570050 | Leveling Leg, #18-3/8 x 1" |
| 17. | 4321880 | Ground Wire Assembly, 9" | 45. | 3421240 | Cabinet Roller |
| 18. | 4151271 | Cabinet Hinge Assy, Upper; RH (Slvr) | 46. | 3450620 | Canoe Clip |
| | 4151273 | Hinge Assy, Upr Cab-RH, B | 47. | 3550560 | Straight Pin, Base Assy - .312"X2.88" |
| | 4151272 | Cabinet Hinge Assy, Upper; LH (Slvr) | 48. | 6110580 | Adjusting Screw |
| | 4151274 | Hinge Assy, Upr Cab-LH, B | 49. | 4110331 | Base Rear Roller Assy |
| 19. | 6110070 | Bolt, 1/4-20 x 3/4" Spinlock Zinc | 50. | 6200010 | Screw, #10-12 x 3/4" Pan HD |
| 20. | 4151471 | Door Hinge Assy, Top; RH (Silver) | 51. | 3060140 | SPST Light Switch (White) |
| | 4151473 | Hinge Assy, Top Cab-RH, B | | 3060141 | Switch, Rocker N.C. Black |
| | 4151472 | Door Hinge Assy, Top; LH (Silver) | 52. | 3060130 | SPST Fan/Icemaker Switch (White) |
| | 4151474 | Hinge Assy, Top Cab-LH, B | | 3060131 | Switch, Rocker N.O. Black |
| 21. | 3541017 | Top Cabinet Hinge Cover, RH (Silver) | 53. | 0168960 | Cover, Switch |
| | 3541211 | Cover, Top Cabinet Hinge-RH, B | 54. | 6200010 | Screw, #10-12 x 3/4" Pan HD |
| | 3541213 | Cover, Top Cabinet Hinge-RH, P | 55a. | 0169040 | Shroud, Condenser (See SN Breaks) |
| | 3541018 | Top Cabinet Hinge Cover, LH (Silver) | 55b. | 0261310 | Shroud, Cond Fan (See SN Breaks) |
| | 3541212 | Cover, Top Cabinet Hinge-LH, B | 56. | 3450290 | Angle Bracket |
| | 3541214 | Cover, Top Cabinet Hinge-LH, P | 57. | 3421260 | Door Closer Bearing |
| 22. | 6110540 | Bolt, #10-24 x 1/2" Flat Socket HD | | 3421261 | Bearing, Door Closer, B |
| 23. | 6200390 | Screw, #6 x 3/8" T25 Flat Head PH | 58. | DS90 | Door Stop-90 Deg (N/C Sales Accy) |
| 24. | 6200140 | Screw, #8-15 x 3/8" Truss HD | | DS105 | Door Stop-105 Deg (N/C Sales Accy) |
| 25. | 4151241 | Door Hinge, Bot; RH (Silver) | 59. | 6200010 | Screw, #10-12 x 3/4" Pan HD |
| | 4151243 | Hinge Assy, Bot Door-RH, B | 60. | 6200010 | Screw, #10-12 x 3/4" Pan HD |
| | 4151242 | Door Hinge, Bot; LH (Silver) | 61. | 3420670 | Screw Spacer |
| | 4151244 | Hinge Assy, Bot Door-LH, B | 62. | 6200450 | Screw, #8 x 1" Type AR Flat |
| 26. | 4151281 | Cabinet Hinge Assy, Lower; RH (Slvr) | 63. | 3210340 | Neoprene Silencer, 7/8" |
| | 4151283 | Hinge Assy, Lwr Cab-RH, B | 64a. | 6150330 | Well Nut, .75D x .804", #10-32 |
| | 4151282 | Cabinet Hinge Assy, Lower; LH (Slvr) | 64b. | 3220360 | Grommet, Mounting Bracket |
| | 4151284 | Hinge Assy, Lwr Cab-LH, B | 65. | 6240350 | Fender Washer, .25x1.25x.06 |
| 27. | 6110070 | Bolt, 1/4-20 x 3/4" Spinlock Zinc | 66. | 6201280 | Machine Screw, #10-32 x 1-1/4" |
| 28. | 3421310 | Door Closer Guide | 67. | 6200490 | Screw, #8-32 x 3/8" Slotted Hex T25 |
| 29. | 3450570 | Door Closer Cushion | 68a. | 3150650 | Cond. Fan Brkt (See SN Breaks) |
| | | | 68b. | 0261150 | Bracket, Cond Mtg (See SN Breaks) |
| | | | 69. | 0164510 | Shim, Cabinet Top or Bot Hinge |
| | | | 70. | 4321820 | Power Cord |
| | | | 71. | 6220220 | Screw Grommet, 1/32 x 3/8" SQ |

Not Pictured

- | | |
|---------|-----------------------|
| 3021950 | Wire Harness, Cabinet |
|---------|-----------------------|

430 MECHANICAL VIEW



430 SEALED SYSTEM VIEW PARTS LIST

1. 4203060 Valve/Sol Components, UPR-Wine
- 4203070 Valve/Sol Components, LWR-Wine
2. 6160030 Spacer, 5/16 x 7/16 x 5/8"
3. 3150010 Rubber Grommet, Small, 5/8"
4. 6240050 Flat Washer, 5/16"
5. 6200140 Screw, #8-15 x 3/8" Truss HD
6. 6120030 Tube Clamp, Plastic 1/4"
7. 3014420 Drier, Service Wine
8. 6240050 Flat Washer, 5/16"
9. 6201270 Screw, #8-18 x 5/8" PH PN SS-Gnd
10. 6150220 Nut, 5/16-18 Hex Zinc
11. 4203230 Compressor Pkg. SRVC-WINE(EMI30HER)
- 3111370 Relay, (1351400)
- 3111410 Overload, (4TM734LFB)
12. 6200010 Screw, #10-12 x 3/4" Pan HD
13. 6201270 Screw, #8-18 x 5/8" PH PN SS-Gnd
14. 4211600 Evaporator Assy (Includes Heat Exchanger)
- 3130280 Evaporator
- 4251490 Heat Exchanger
15. 6120170 Locking Cable Tie, Red, 11-1/2"
16. 2600138 Drain Pan Heater Loop
17. 3120370 Condenser
18. 3421410 Drain Pan Heater Loop Support
19. 6200010 Screw, #10-12 x 3/4" Pan HD
20. 0862320 Bracket, Solenoid
21. 6201270 Screw, #8-18 x 5/8" PH PN SS-Gnd
22. 0168040 Drier Bracket

430 SEALED SYSTEM VIEW

