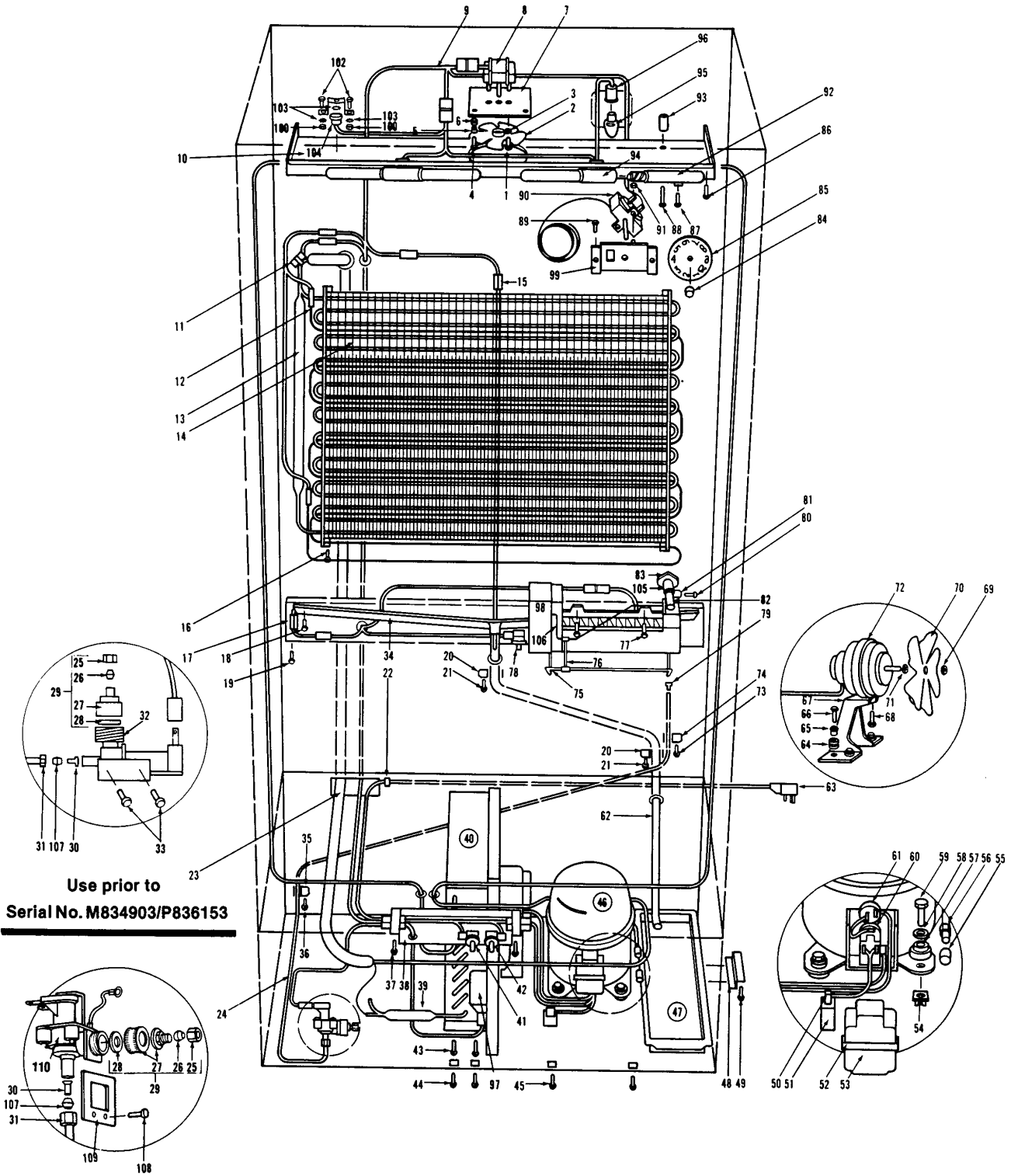


501F SEALED SYSTEM VIEW

Ref.	Part No.	Description	Ref.	Part No.	Description
1	6110270	Bolt, #10-32 x 1/4" RD HD		3150170	Rubber Grommet, Large, 15/16"
2	3150450	Fan Blade, Evap, Blk, 5 prop, 5 1/2"	58	6240050	Flat Washer, 5/16"
3	6200120	Screw, #10-12 x 1/2" Truss HD	59	6200300	Screw, 5/16-18 x 1-1/2" Hex
4	6200130	Screw, #8-18 x 3/4" Truss HD	60	****	Relay
5	3520120	Brass Insert, Fan Bracket	61	****	Overload
6	3220250	Grommet, 3/16" x 7/16" x 9/32"	62	1601400	Drain Tube, Wire - 1/2" x 72"
7	0211620	Refrigerator Fan Bracket	63	4321820	Power Cord
8	4200720	Evap Fan Motor Replacement Components	64	3220160	Grommet, 3/16" x 7/16" x 9/32"
9	4322420	Cabinet Wiring Harness-Phoenix	65	3520120	Brass Insert, Fan Bracket
	4322370	Cabinet Wiring Harness-Madison	66	6200430	Screw, #8-18 x 1/2" PH Type-B Pan Head
10	4160520	Fan Shroud Assembly	67	2801603	Fan Bracket, Cond
11	3082060	Defrost Terminator	68	6200490	Screw, #8-32 x 3/8" Slotted Hex T25
12	4322390	Defrost Heater Assembly	69	6150410	Nut, 1/4 x 20
13	3011140	Accumulator	70	3150320	Fan Blade, Cond, 5 prop, 7"
14	3130250	Evaporator Coil	71	3210340	Neoprene Silencer, 7/8"
15	3013550	Braided Wire Heater	72	4200740	Condenser Fan Motor Replacement Components
16	6200140	Screw, #8-15 x 3/8" Truss HD	73	6200230	Screw, #8-18 x 1/2" Hex Head
17	3013530	Drain Trough Heater	74	6120030	Tube Clamp, Plastic 1/4"
18	6200140	Screw, #8-15 x 3/8" Truss HD	75	3421150	Ice Level Control Arm
19	6200140	Screw, #8-15 x 3/8" Truss HD	76	3421070	Connecting Rod
20	6120050	Tube Clamp, Plastic, 5/8"	77	6200120	Screw, #10-12 x 1/2" Truss HD
21	6200230	Screw, #8-18 x 1/2" Hex Head	78	3060130	SPST Fan/Icemaker Switch
22	3220140	Strain Relief Bushing	79	3520050	Brass Insert, Solenoid
23	4251010	Heat Exchanger	80	6200330	Screw, #8-18 x 3/8" Pan Head
24	2600617	Plastic Water Line	81	6120120	Tube Clamp, 3/8" Stl w/nut
25	NLA	Compression Nut - See 3520110	82	3450480	Plastic O-Ring, Fill Tube
26	NLA	Ball Sleeve - See 3520110	83	2603802	Water Inlet Tube
27	NLA	Water Valve Fitting - See 3520110	84	3012560	Control Knob
28	3210030	Solenoid Gasket	85	3012810	Control Indicator
29	3520110	Water Inlet Fitting Assy	86	6200140	Screw, #8-15 x 3/8" Truss HD
30	3520050	Brass Insert, Solenoid	87	6200130	Screw, #8-18 x 3/4" Truss HD
31	3520030	Icemaker Nylon Nut, 1/4"	88	6200090	Screw, #8-15 x 1-3/4" Truss HD
32	4201440	Water Solenoid Valve	89	6180010	Pop Rivet, 1/8"
33	6200060	Screw, #8-32 x 1/2" Pan HD	90	3012750	Freezer Control
34	4190180	Drain Trough Assembly	91	6150320	Nut-Pal, #8-32
	6200020	Screw, #7-16 x 1/2" Pan HD	92	3030040	Light Bulb, Long/Narrow; 40 watt
38	0165460	Switch Housing	93	6220340	Screw Grommet / Stand-off
39	3014230	Filter-Drier, High Side	94	3050020	Light Socket, 3/4 Double
40	3120230	Condenser	95	3030070	Light Bulb, 7W
41	3060020	Fan Switch, Normally Open	96	3050070	Light Socket
42	3060030	Light Switch, Normally Closed	97	3081180	Defrost Timer, 6Hr / 21Min
43	6110020	Bolt, #10-24 x 3/8" Truss HD	98	4200520	Complete Modular Icemaker Assembly
44	6110020	Bolt, #10-24 x 3/8" Truss HD		628366	Module & Motor Assembly
45	6110020	Bolt, #10-24 x 3/8" Truss HD	99	4151040	Control Bracket Assy
46	4202560	Service Replacement Compressor	100	6150160	Nut, #8-32 Hex
47	0164970	Drain Pan, Plastic	102	6110050	Bolt, #8-32 x 3/8" Truss HD
48	0165010	Drain Pan Support	103	6240020	Star Washer, 3/16"
49	6200010	Screw, #10-12 x 3/4" Pan HD	104	4200850	Light Terminator Kit
50	4322280	Compressor Wiring Harness	105	2605403	Aluminum Sleeve
51	****	Running Capacitor	106	3140200	Icemaker Shut-off Arm
52	****	Compressor Cap Strap	107	3520110	Water Inlet Fitting Assy
53	****	Compressor Cap	108	6200780	Screw, #10-24 x 1/2" PH Hex Washer
54	1801000	Nylon Compressor Mount, 7/16"	109	0166200	Solenoid Retainer
55	NLA	Valve Cap -See 3090010; 3090100; 3090210; 3090220	110	4201450	Water Solenoid Valve
56	3090010	Compressor Base Valve - fits on 5/16"OD tubing	111	6220330	Plastic Support
57	3150010	Rubber Grommet, Small, 5/8"			

501F SEALED SYSTEM VIEW



**Use prior to
Serial No. M834903/P836153**

**Use after
Serial No. M834904/P836154**