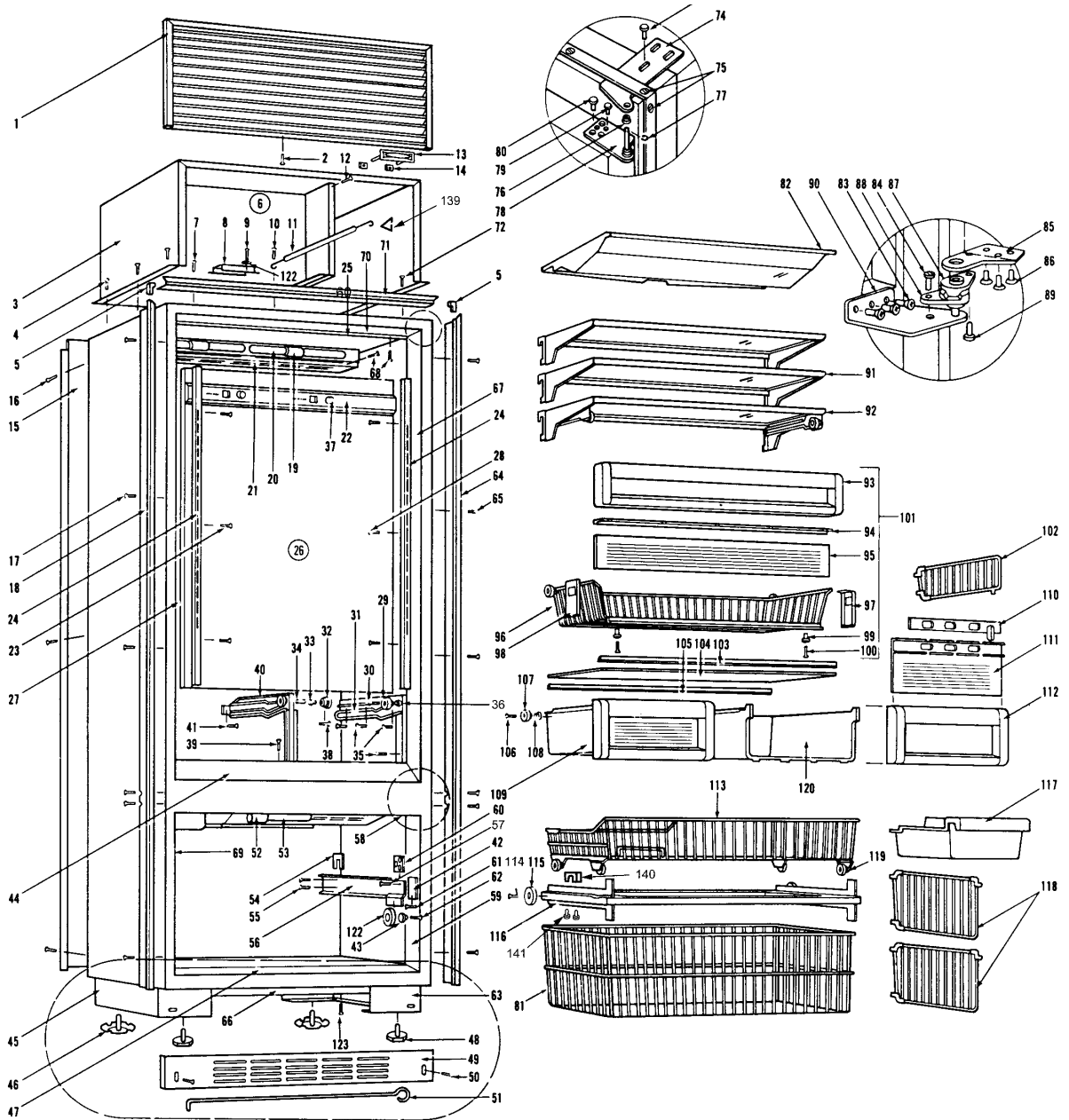


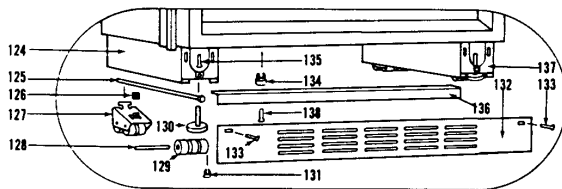
511 COSMETIC VIEW

Ref.	Part No.	Description	Ref.	Part No.	Description
1	LG3011	Louvered Grille, 30 x 11			cut to length
2	6200770	Screw, #6-32 x 3/4" Pan HD	71	2225621	Top Main Frame, RH Dr Swing
3	4280530	Unit Shroud Assembly		2225622	Top Main Frame, LH Dr Swing
4	6200230	Screw, #8-18 x 1/2" Hex Head	72	6200010	Screw, #10-12 x 3/4" Pan HD
5	2210701	Main Frame Angle	73	6110070	Bolt, 1/4-20 x 3/4" Spinlock Zinc
6	4280520	Compressor Shroud Assembly	74	0182560	Cabinet Hinge, Top
7	6200010	Screw, #10-12 x 3/4" Pan HD	75	6200070	Screw, #4-24 x 3/8" Flat HD
8	0165760	Switch Enclosure	76	3420070	Hinge Bearing
9	6200010	Screw, #10-12 x 3/4" Pan HD	77	3450270	E-Ring / Retaining Ring
10	6200020	Screw, #7-16 x 1/2" Pan HD	78	3540340	Door Hinge, Top RH
11	3450120	Grille Spring, 1/4" x 9-5/8"		3540350	Door Hinge, Top LH
12	6200020	Screw, #7-16 x 1/2" Pan HD	79	6200390	Screw, #6 x 3/8" T25 Flat Head PH
13	3580110	Name Plate	80	6110010	Bolt, #10-24 x 1/2" Flat Head UC
14	6150140	spring Grip Nut, 1/8"	81	3411190	Lower Freezer Basket
15	0164530	Back Cover and Shroud	82	4200810	Light Diffuser/Fan Shroud Replacement Components; Ref.
16	6200230	Screw, #8-18 x 1/2" Hex Head	83	6110010	Bolt, #10-24 x 1/2" Flat Head UC
17	6200210	Screw, #8-32 x 1/2" Flat Head	84	6110270	Bolt, #10-32 x 1/4" RD HD
18	2225609	Left Side Main Frame, RH Dr Swing	85	0182381	Door Hinge, Bottom; RH
	2225610	Left Side Main Frame, LH Dr Swing		0182382	Door Hinge, Bottom; LH
19	3050020	Light Socket, 3/4 Double	86	6110010	Bolt, #10-24 x 1/2" Flat Head UC
20	3030040	Light Bulb, Long/Narrow; 40 watt	87	3420690	Bottom Door Hinge Cam
21	4200810	Light Diffuser/Fan Shroud Replacement Components	88	3420681	Bottom Cabinet Hinge Cam, RH
22	3012620	Control Panel, Refrig. - NOTE: Also order three 6230530.		3420682	Bottom Cabinet Hinge Cam, LH
23	6200710	Screw, #8-18 x 3/8" Fillister HD	89	6110270	Bolt, #10-32 x 1/4" RD HD
24	3601101	Cabinet Shelf Ladder - Right	90	4151151	Cabinet Hinge, Bot; RH
	3601102	Cabinet Shelf Ladder - Left		4151152	Cabinet Hinge, Bot; LH
25	0211390	Refrigerator Light Diffuser Retainer	91	4180770	Glass Shelf Assembly
26	0200750	Refrigerator Cold Plate Cover / Evaporator Cover		NLA	Refrigerator Shelf Glass - See 4180770
27	1807300	Breaker Strip, 6' Length - NOTE: Must be cut to length	92	4180800	Shelf Assembly, Ref Roll-out Basket
28	6200710	Screw, #8-18 x 3/8" Fillister Head	93	3410900	Refrigerator Roll-Out Basket Front
29	3421110	Crisper Roller	94	3600930	Refrigerator Roll-Out Basket Glass Retainer
30	6200730	Screw, #10-16 x 3/4" PH Flat HD UC	95	3500290	Refrigerator Roll-Out Basket Glass
31	4180931	Crisper Slide Assy, Right Side	96	NLA	Refrigerator Roll-Out Basket - See 4180860
	4180932	Crisper Slide Assy, Left Side	97	3411001	Refrigerator Roll-Out Basket Retainer, RH
32	3421100	Crisper Roller; Narrow	98	3411002	Refrigerator Roll-Out Basket Retainer, LH
33	3430080	Roller Bushing	99	6220320	Screw Grommet
34	3550450	Hex Insert	100	6200700	Screw, #6-20 x 5/8" PH Flat HD SS
35	6200450	Screw, #8 x 1" Type AR Flat	101	4180860	Basket Assembly, Ref Roll-out
36	3430080	Roller Bushing	102	3411160	Ref Roll-Out Bskt Divider
37	3012560	Control Knob	103	2301701	Front Crisper Seal
38	6200740	Screw, #10-32 x 11/16" PH Flat HD UC	104	4151070	Crisper Glass Assembly
39	3550460	White Cap plug	105	1302000	Rear Crisper Seal
40	4180940	Crisper Slide Assy; Center	106	6200730	Screw, #10-16 x 3/4" PH Flat HD UC
41	6200140	Screw, #8-15 x 3/8" Truss HD	107	3421110	Crisper Roller
42	3420821	Cabinet Support Insulator, Right Side	108	3430080	Roller Bushing
	3420822	Cabinet Support Insulator, Left Side	109	4180900	Crisper Drawer Assembly
43	3430040	Spacer, .75 x .26 x .22	110	3411051	Vent Slide
44	2809502	Breaker Strip, Refrigerator Mullion	111	3411041	Crisper Glass Front
45	4110032	Left Base Assembly	112	3411031	Crisper Drawer Front
46	3570020	Rear Leveling Leg, #18-3/8 x 1-1/2"	113	4181030	Upper Freezer Basket Assembly
47	1807300	Breaker Strip, 6' Length - NOTE: Must be cut to length	114	6110260	Upper Freezer Basket - See 4181030
48	3570050	Leveling Leg, #18-3/8 x 1"	115	3420900	Bolt, 1/4-20 x 1/2" Flat HD
49	0165710	Kickplate	116	4180820	Roller Bearing
50	6200050	Screw, #10-12 x 1/2" Pan HD	117	3411340	Drawer Slide Assembly, Freezer
51	3570030	Leveling Rod, 26-3/4"	118	3411310	Ice Bucket
52	3050010	Light Socket, 3/4 Single	119	NLA	Lower Freezer Basket Divider
53	3030040	Light Bulb, Long/Narrow; 40 watt	120	3411021	Upper Freezer Basket Roller- See 4181030.
54	0232310	Drawer Slide Shim, Rear	121	6240020	Crisper Drawer
55	6110330	Screw, #10-32 x 1/4" Chrome Plate	122	3420900	Star Washer, 3/16"
56	4180681	Cabinet Slide Assy, Fre; Right	123	6200010	Roller Bearing
	4180682	Cabinet Slide Assy, Fre; Left	124	4110333	Screw, #10-12 x 3/4" Pan HD
57	6200590	Screw, #12 x 1" Type A Zinc Flat HD	125	6110520	Base Assembly (w/rollers) - Right or Left
58	2809702	Breaker Strip, Freezer Mullion	126	6150670	Adjusting Screw
59	2807340	Breaker Strip, Freezer; Right Side	127	4110331	J-Nut, #10-24
60	0232300	Drawer Slide Shim, Front	128	3550560	Base Rear Roller Assy
61	6200150	Screw, #10 x 3/4" Type 23 Round HD	129	3421240	Straight Pin, Base Assy - .312" x 2.88"
62	6110440	Bolt, 1/4-20 x 3/4" Flat HD	130	3570050	Cabinet Roller (3 per side)
63	4110031	Right Base Assembly	131	3450620	Leveling Leg, #18-3/8 x 1"
64	2225602	Right Side Main Frame, RH Dr Swing	132	0166130	Canoe Clip
	2225603	Right Side Main Frame, LH Dr Swing		4200870	Kickplate, Vented
65	6200210	Screw, #8-32 x 1/2" Flat Head	133	6200050	Kickplate, Solid
66	0165700	Kickplate Support	134	6220050	Screw, #10-12 x 1/2" Pan HD
67	2807339	Refrigerator Right Side Breaker Strip	135	6200010	Screw Grommet, 1/2" x 5/8"
68	6200140	Screw, #8-15 x 3/8" Truss Head	136	0166030	Screw, #10-12 x 3/4" Pan HD
69	1807300	Breaker Strip, 6' Length - NOTE: Must be cut to length	137	4110333	Kickplate Support
70	1807300	Breaker Strip, 6' Length - NOTE: Must be cut to length	138	6200010	Base Assembly (w/rollers) - Right or Left
			139	3450520	Screw, #10-12 x 3/4" Pan HD
			140	3420950	Grille Hook
			141	6200340	Upper Freezer Basket Restraint
					Screw, #6-20 x 1/2", Pan Head

511 COSMETIC VIEW



**Use prior to
Serial No. M830453**



**Use after
Serial No. M830454**