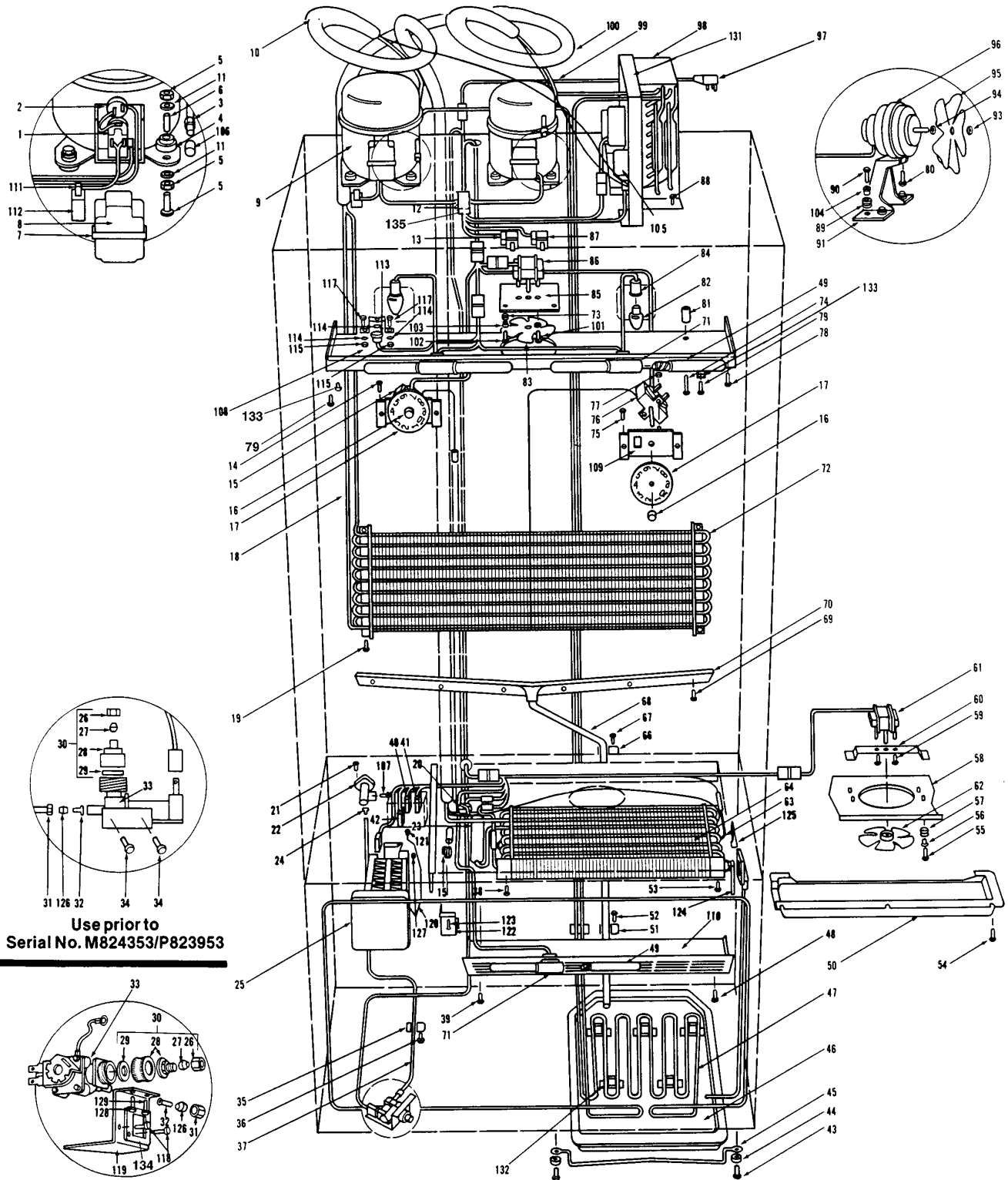


550 SEALED SYSTEM VIEW

Ref.	Part No.	Description	Ref.	Part No.	Description
1	****	Start Relay, Refrigerator	64	3130120	Evaporator Coil, Fre
	****	Start Relay, Freezer	65	6200080	Screw, #8-15 x 1/2" Truss HD
2	****	Overload, Refrigerator	66	6120050	Tube Clamp, Plastic, 5/8"
	****	Overload, Freezer	67	6200230	Screw, #8-18 x 1/2" Hex Head
3	3090010	Compressor Base Valve - fits on 5/16"OD tubing - NOTE: Also see 3090100, 3090210, 3090220	68	1601400	Drain Tube, Wire - 1/2" x 72"
4	3150010	Rubber Grommet, Small, 5/8"	69	6200140	Screw, #8-15 x 3/8" Truss HD
	3150170	Rubber Grommet, Large, 15/16"	70	4190150	Drain Trough Assembly
5	6150220	Nut, 5/16-18 Hex Zinc	71	3050020	Light Socket, 3/4 Double
6	6160030	Spacer, 5/16 x 7/16 x 5/8"	72	3130270	Evaporator Coil, Ref
	6160070	Sleeve, 5/16 x 7/16 x 7/8"	73	3220250	Grommet, 3/16" x 7/16" x 9/32"
7	****	Compressor Cap Strap	74	6200090	Screw, #8-15 x 1-3/4" Truss HD
8	****	Compressor Cap	75	6180010	Pop Rivet, 1/8"
9	4201400	Service Freezer Compressor	76	4201260	Control, Refrig
10	4250910	Heat Exchanger, Freezer	77	6150320	Nut-Pal, #8-32
11	6240050	Flat Washer, 5/16"	78	6200140	Screw, #8-15 x 3/8" Truss HD
12	4322170	Cabinet Wiring Harness	79	6200130	Screw, #8-18 x 3/4" Truss HD
13	3060140	SPST Light Switch	80	6200490	Screw, #8-32 x 3/8" Slotted Hex T25
14	6180010	Pop Rivet, 1/8"	81	6220340	Screw Grommet / Stand-off
15	3014280	Control, Freezer	82	3030070	Light Bulb, 7W
16	3012560	Control Knob	83	3150210	Fan Blade, Ref Evap
17	3012810	Control Indicator	84	3050070	Light Socket
18	3011030	Refrigerator Accumulator, 7/8 x 15-5/8 (Prior to SN 681565)	85	0211620	Refrigerator Fan Bracket
19	6200140	Screw, #8-15 x 3/8" Truss HD	86	4200170	Refrigerator Fan Motor Replacement Components
20	3082060	Defrost Terminator	87	3060130	SPST Fan/Icemaker Switch
21	6200230	Screw, #8-18 x 1/2" Hex Head	88	6200010	Screw, #10-12 x 3/4" Pan HD
22	1600800	Water Inlet Tube, 6"	89	3220160	Grommet, 3/16" x 7/16" x 9/32"
23	3011010	Accumulator; 1-1/4 x 8-7/8	90	6200430	Screw, #8-18 x 1/2" PH Type-B Pan Head
24	3520050	Brass Insert, Solenoid	91	1801700	Fan Bracket, Condenser
25	4202850	Compact Icemaker Assembly - NOTE: Ice level mechanism not included.	92	3014230	Filter-Drier, High Side
	4200520	Complete Modular Icemaker Assembly	93	6150410	Nut, 1/4-20
26	NLA	Compression Nut - See 3520110	94	3210340	Neoprene Silencer, 7/8"
27	NLA	Ball Sleeve - See 3520110	95	3150320	Fan Blade, Cond, 5 prop, 7"
28	NLA	Water Valve Fitting - See 3520110	96	4200740	Condenser Fan Motor Replacement Components
29	3210030	Solenoid Gasket	97	4321820	Power Cord
30	3520110	Water Inlet Fitting Assembly	98	3120151	Dual Condenser
31	3520030	Icemaker Nylon Nut, 1/4"	99	4201670	Service Refrigerator Compressor
32	3520050	Brass Insert, Solenoid	100	4250960	Heat Exchanger, Refrigerator
33	4201440	Water / Solenoid Valve	101	6110270	Bolt, #10-32 x 1/4" RD HD
34	6200060	Screw, #8-32 x 1/2" Pan HD	102	6200130	Screw, #8-18 x 3/4" Truss HD
35	6120030	Tube Clamp, Plastic 1/4"	103	3520120	Brass Insert, Fan Bracket
36	6200010	Screw, #10-12 x 3/4" Pan HD	104	3520120	Brass Insert, Fan Bracket
37	2600617	Plastic Water Line	105	3081180	Service Defrost Timer, 6Hr / 21Min
38	6200120	Screw, #10-12 x 1/2" Truss HD	106	NLA	Valve Cap -See 3090010; 3090100; 3090210; 3090220.
39	6200120	Screw, #10-12 x 1/2" Truss HD	107	6200330	Screw, #8-18 x 3/8" Pan Head
40	3060030	Light Switch, Normally Closed	108	4160440	Fan Shroud Assembly, Ref
	3060140	SPST Light Switch	109	4151040	Control Bracket Assy.
41	3060020	Fan Switch, Normally Open	110	0232840	Evaporator Cover, Fre
	3060130	SPST Fan/Icemaker Switch	111	****	Run Capacitor
42	3060020	Fan Switch, Normally Open	112	4324110	Run Capacitor Wiring Harness
	3060130	SPST Fan/Icemaker Switch	113	4200850	Light Terminator
43	6200440	Screw, #10-16 x 11/16" Type B Flat Head	114	6240020	Star Washer, 3/16"
44	3420670	Screw Spacer	115	6150160	Nut, #8-32 Hex
45	3420760	Drain Pan Holder	117	6110050	Bolt, #8-32 x 3/8" Truss HD
46	0164940	Drain Pan, Plastic	118	6200010	Screw, #10-12 x 3/4" Pan HD
47	2604101	Condensate Heater Loop	119	0166190	Solenoid Bracket
48	6200120	Screw, #10-12 x 1/2" Truss HD	120	4202730	Ice Level Arm Package
49	3030040	Light Bulb, Long/Narrow; 40 Watt	121	3220170	Snap Bushing
50	0232560	Freezer Air Duct	122	0233160	Control Housing, Fre
51	6120050	Tube Clamp, Plastic, 5/8"	123	6200140	Screw, #8-15 x 3/8" Truss HD
52	6200230	Screw, #8-18 x 1/2" Hex Head	124	6120340	Aluminum Strap
53	6200120	Screw, #10-12 x 1/2" Truss HD	125	2606601	Aluminum Sleeve
54	6200120	Screw, #10-12 x 1/2" Truss HD	126	NLA	Solenoid Hose Fitting - See 3520110
55	6200430	Screw, #8-18 x 1/2" PH Type-B Pan Head	127	6220190	Support, .275 x .750"
56	3520120	Brass Insert, Fan Bracket	128	6200010	Screw, #10-12 x 3/4" Pan HD
57	3220250	Grommet, 3/16" x 7/16" x 9/32"	129	6200060	Screw, #8-32 x 1/2" Pan HD
58	0232850	Fan Shroud, Fre Evap	130	4201440	Water / Solenoid valve
59	6110270	Bolt, #10-32 x 1/4" RD HD	131	4280500	Condenser Fan Shroud Assembly
60	0232280	Fan Bracket, Fre		0166980	Shroud Support Bracket
61	4200160	Freezer Fan Motor Replacement Components	132	6220210	Stand-off Heater Clip
62	3150370	Fan Blade, Freezer Evap.	133	6220330	Plastic support
63	4321760	Defrost Heater Assembly	134	0166200	Solenoid Retainer
			135	3081120	Control Relay

550 SEALED SYSTEM VIEW



**Use prior to
Serial No. M824353/P823953**

**Use after
Serial No. M824354/P823954**